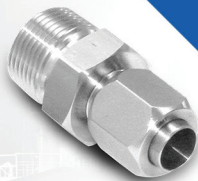
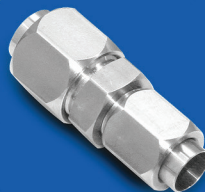
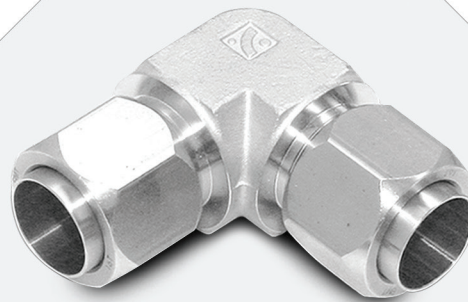
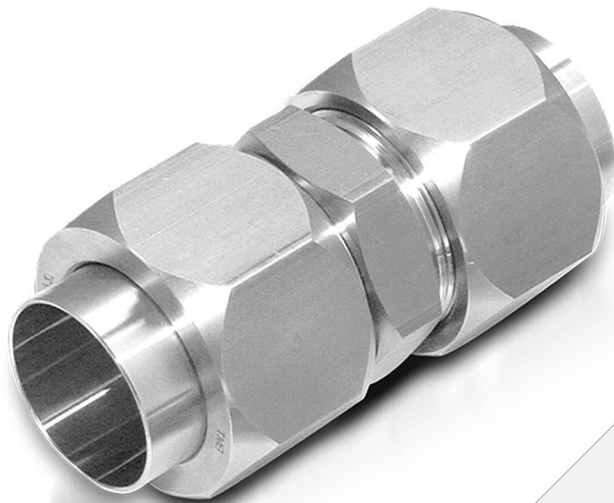
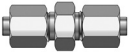

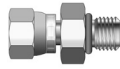

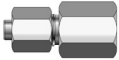
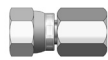
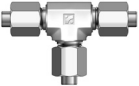



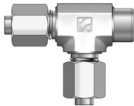
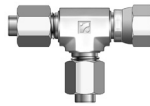
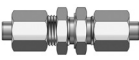



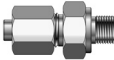

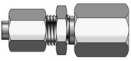
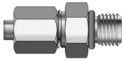
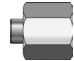
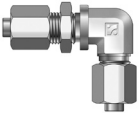

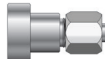
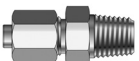





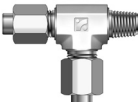



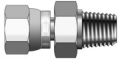
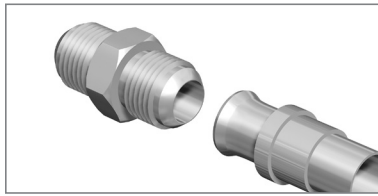

37° Flared Fitting (SAE J514)



37° Flared Fitting Index

 JU Union 6P	 JHME 45° Male Elbow 12P	 JMSC-U O-Ring Seal Male Swivel Connector 18P
 JUE Union Elbow 6P	 JFC Female Connector 12P	 JFSC Female Swivel Connector 18P
 JUT Union Tee 7P	 JFE Female Elbow 13P	 JSE Swivel Elbow 19P
 JUC Union Cross 7P	 JFRT Female Run Tee 13P	 JSRT Swivel Run Tee 19P
 JBHU Bulkhead Union 8P	 JFBT Female Branch Tee 14P	 JSBT Swivel Branch Tee 20P
 JBUW Weld Bulkhead Union 8P	 JMC-GO O-Ring Seal Male Connector (PF) 14P	 JP Plug 20P
 JBFC Bulkhead Female Connector 9P	 JMC-U O-Ring Seal Male Connector (UNF/UN) 15P	 JC Tube Cap 20P
 JBUE Bulkhead Union Elbow 9P	 JPME-U Positionable Male Elbow 15P	 JRA Reducer Adapter 21P
 JMC Male Connector 10P	 JPHME-U Positionable 45° Male Elbow 16P	 JLN Bulkhead Lock Nut 21P
 JME Male Elbow 10P	 JPMBT-U Positionable Male Branch Tee 16P	 JN Nut 21P
 JMRT Male Run Tee 11P	 JPMRT-U Positionable Male Run Tee 17P	 JS Sleeve 21P
 JMBT Male Branch Tee 11P	 JMSC Male Swivel Connector 17P	

Fittings that meet SAE J514 Standard



Before tightening the nut



After tightening the nut

Figure.1

If required, see SAE J514 for a complete list of dimensions. NPT Tapered Pipe Threads meet the requirements of ASME/ANSI B.1.20.1.

All 37° Flared tube fittings, 3 piece tube assembly, can be used with metric tube by using a metric 37° sleeve, instead of an inch sleeve. Each dimension table shows which metric sleeve should be used for every size.

Assembly Instructions

1. Cut the tube to the proper length.
2. Slide the nut and sleeve onto the tube. (See Fig.1).
3. With a special flaring tool, form the flare to 37° dimension according to SAE J533. (see page 4.)
4. Screw the nut onto the body until finger tight.
5. From this position, tighten the nut with a wrench 1/4" turn in order to make a leakproof metal-to-metal connection.

Tubing Data For 37° Flared Three-Piece Tube Assembly

In order to ensure maximum fitting reliability and performance, please take great care when selecting the tube for each application. Tubing should be a fully annealed, seamless and drawn, suitable for bending and flaring according to standard ASTM-269, AISI 316 or 304.

Tube Handling

Scratches on the tube might cause leaks. It is, therefore, important to handle the tube carefully to reduce the risk of leaks.

1. Tubes must not be dragged on the floor.
2. Tubes must not be dragged out of a tubing rack, especially in cases of large OD tubes.

Tube Cutter

To attain a leakfree connection, the tubing must be cut squarely. A good quality tube cutter with the appropriate blade for the tubing material is recommended. Do not try to reduce the time of cutting by taking deep cuts with each turn of the cutter. The end of the tube must be deburred to avoid damage to the fitting and to ensure that the tube reaches the bottom of the fitting.

Quality

Lengths of finished tubing should be reasonably straight and have smooth ends, free from burrs. Tubing should be free from scale and injurious defects, and it should have a workmanlike finish. Surface imperfections such as handling marks, die marks, or shallow pits will not be considered injurious defects provided the imperfections are within the tolerances specified for diameter and wall thickness. The removal of such imperfections is not required (SAE J524).

Tube Cutting

Two different methods can be used to cut tubes:

1. Tube cutter
2. * Hacksaw

* Hacksaw cutting: In order to cut the tube with a hacksaw and to attain square ends, the tube must be cut with guide blocks. This method of cutting requires deburring of the tube ends.

Warning

Do not hold the tube in a vise in the place where it will be inserted into the fitting. The vise will leave a mark on the tube that may cause leaks and might cause ovality.

Ordering Information

Example :	JMC	-	8T	-	04N	-	36L
	1		2-1		2-2		3

1. Type of Fitting Please refer to 37° Flared Fitting Index on page 2.

2. Size of Fitting

2-1. Tube O.D

Fractional Tube	O.D (Inch)	1/8	3/16	1/4	5/16	3/8	1/2	5/8	3/4	7/8	1	1-1/4	1-1/2	2	
	Designator		2T	3T	44	5T	6T	8T	10T	12T	14T	16T	20T	24T	32T
Metric Tube	O.D (mm)		2	3	6	8	10	12	16	18	22	25	32	38	50
	Designator		2MT	3MT	6MT	8MT	10MT	12MT	16MT	18MT	22MT	25MT	32MT	38MT	50MT

2-2. Pipe Thread Size or tube size

Size (inch)	1/8	1/4	3/8	1/2	3/4	1	1-1/4	1-1/2	2
ISO Tapered	01R	02R	03R	04R	06R	08R	10R	12R	16R
NPT	01N	02N	03N	04N	06N	08N	10N	12N	16N
ISO Parallel	01G	02G	03G	04G	06G	08G	10G	12G	16G
Unified Screw	02U	04U	06U	08U	12U	16U	20U	24U	32U

3. Material

Material	316 Stainless Steel	316L Stainless Steel	Brass	Carbon Steel A105	Carbon Steel S45C
Designator	(Blank)	36L	B	15	S45C

※ For special sizes and configurations, please consult BMT (SUPERLOK) sales representative.

Assembly Instructions

- Flaring Operation

Perform flaring according to SAE J533. See Fig. 2.

See Table 1 below for dimensions .

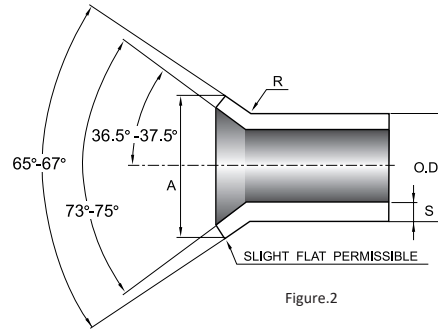


Figure.2

TABLE 1: Laring

Nominal Tube OD	A single flare diameter				R		S	
	in		mm		in	mm	in	mm
	Max	Min	Max	Min	±0.02	±0.5		
1/8	0.20	0.18	5.08	4.58	0.03	0.8	0.035	0.88
3/16	0.28	0.26	7.11	6.61	0.03	0.8	0.035	0.88
1/4	0.36	0.34	9.14	8.64	0.03	0.8	0.065	1.65
5/16	0.43	0.40	10.92	10.16	0.03	0.8	0.065	1.65
3/8	0.49	0.46	12.44	11.69	0.04	1.0	0.065	1.65
1/2	0.66	0.63	16.76	16.01	0.06	1.5	0.083	2.10
5/8	0.79	0.76	20.06	19.31	0.06	1.5	0.095	2.41
3/4	0.95	0.92	24.13	23.37	0.08	2.0	0.109	2.76
7/8	1.07	1.04	27.17	26.42	0.08	2.0	0.109	2.76
1	1.20	1.17	30.48	29.72	0.09	2.3	0.120	3.04
1 1/8	1.38	1.35	35.05	34.92	0.09	2.3	0.120	3.04
1 1/4	1.51	1.48	38.35	37.60	0.09	2.3	0.120	3.04
1 1/2	1.73	1.70	43.94	43.18	0.11	2.8	0.120	3.04

- **Deburring Prior to Flaring** : To ensure satisfactory flares are produced, it may be necessary to deburr the tube end prior to flaring. It is usually necessary to break the inside corner smoothly before single flaring, and some non-ferrous tubing to eliminate is normally required to eliminate the cutoff burr which might otherwise create leakage paths across a substantial portion of the flare. It is acceptable to smoothly break the outside corner prior to single flaring, or both outside and inside corners prior to double flaring, on any tube material to minimize splitting.
- Dimensions are for reference only, and are subject to change without notice.

TABLE 2 : Allowable Working Pressure Ratings (Capable of 4" to 1" Min. Burst)

Nom.SAE Dash Size	Nom.Tube O.D Inches	37° Flare Straight Thread	Nom.Pipe Size	SAE St. Threads Union and Bulkhead (psi)	Fittings with Pipe Threads (psi)
2	1/8	5/16" - 24	1/8"	5000	5000
3	3/16	3/8" - 24	1/8"	5000	5000
4	1/4	7/16" - 20	1/8"	5000	5000
5	5/16	1/2" - 20	1/8"	5000	5000
6	3/8	9/16" - 18	1/4"	5000	5000
8	1/2	3/4" - 16	3/8"	4500	4000
10	5/8	7/8" - 14	1/2"	3500	3000
12	3/4	1 1/16" - 12	3/4"	3500	3000
14	7/8	1 3/16" - 12	3/4"	3000	2500
16	1	1 5/16" - 12	1"	3000	2000
20	1 1/4	1 5/8" - 12	1 1/4"	2500	1150
24	1 1/2	1 7/8" - 12	1 1/2"	2000	1000
32	2	2 1/2" - 12	2"	1500	1000

- **Note** : Since many factors influence the pressure at which a system will or will not perform satisfactorily, values shown in Table 2 should not be construed as guaranteed minimum.

Design and Construction

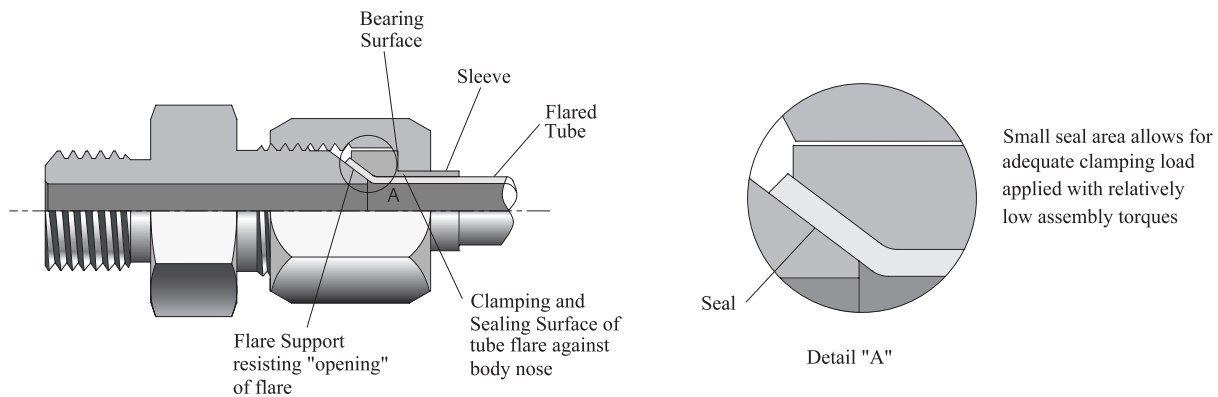


Figure 3.

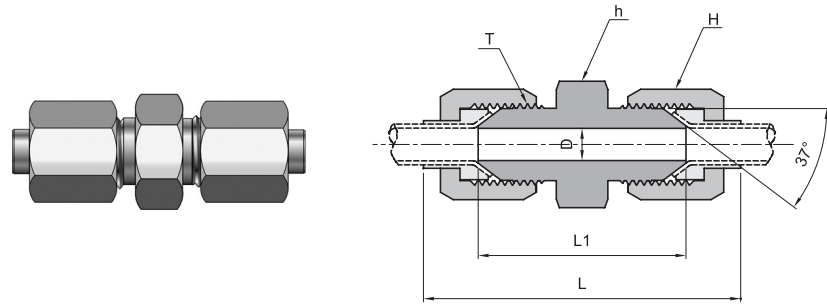
The SAE 37° Flared Tube Fitting is designed simple. It uses an easily produced flare at the tube end to seal and hold fluid under high pressure. The fitting consists of three pieces: the body, sleeve and nut. The tube end is flared at a 37° angle (74° included angle) and held between the fitting nose (seat) and the sleeve (support) with the nut as shown in Fig. 3, providing a very effective (single) seal between the fitting nose and the tube flare.

The design of SAE 37° Flared Tube Fittings is very efficient. The fitting incorporates the smallest seal area of all fitting types. This seal area, as seen in Fig. 3, is only slightly larger than the fluid flow area. The small seal area results in a compact design, low assembly torque, and a relatively high-pressure capability.

The primary difference between a two-piece flared fitting and the three-piece design is the flare support sleeve. The support sleeve provides several key functions:

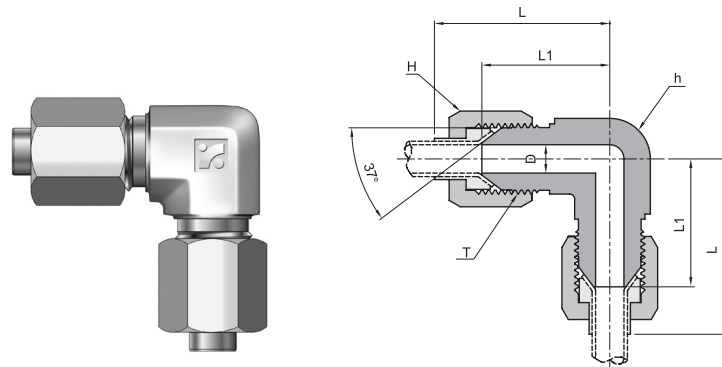
1. It provides a clamping surface for the tube flare.
2. It provides a bearing surface for the tube nut. The sleeve isolates the tube from the nut, minimizing the tube twist during assembly, a common problem of 2-piece flared fitting designs.
3. It provides support to the tube flare. The tapered fitting nose tends to wedge open the tube flare during assembly. The sleeve helps to resist this expansion, thus eliminating the possibility of tube flare and sleeve jamming inside the nut. This eliminates any waste of applied torque and allows for easy disassembly.
4. It makes the fitting adaptable to metric tube merely by changing its inside diameter.

JU
Union



Part No.	Tube OD		T (UNF/UN)	D	h (HEX)	H (HEX)	L	L1
	Inch	Metric						
JU-2T	1/8	3	5/16 - 24	1.6	11.1	9.5	45.3	29.7
JU-3T	3/16	4	3/8 - 24	3.2	11.1	11.1	50.0	31.2
JU-4T	1/4	6	7/16 - 20	4.4	12.7	14.3	53.0	34.8
JU-5T	5/16	8	1/2 - 20	6.0	14.3	15.9	55.6	34.8
JU-6T	3/8	10	9/16 - 18	7.5	15.9	17.5	59.6	35.8
JU-8T	1/2	12	3/4 - 16	9.9	20.6	22.2	66.5	41.1
JU-10T	5/8	16	7/8 - 14	12.3	23.8	25.4	81.0	47.8
JU-12T	3/4	18	1 1/16 - 12	15.5	28.6	31.8	85.9	54.9
JU-14T	7/8	22	1 3/16 - 12	18.3	31.8	34.9	91.3	56.1
JU-16T	1	25	1 5/16 - 12	21.4	34.9	38.1	95.2	57.2
JU-20T	1 1/4	32	1 5/8 - 12	27.4	42.9	50.8	109.0	61.7
JU-24T	1 1/2	38	1 7/8 - 12	33.3	50.8	57.2	123.2	69.8
JU-32T	2	50	2 1/2 - 12	45.2	66.7	73.0	141.4	86.4

JUE
Union Elbow

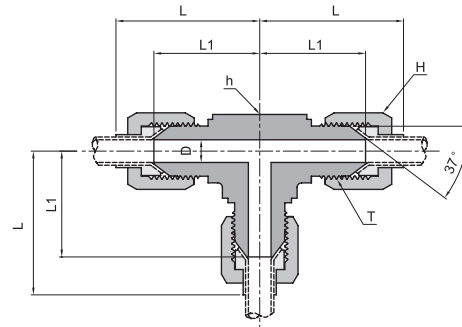
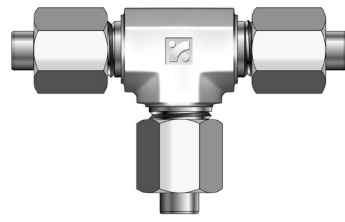


Part No.	Tube OD		T (UNF/UN)	D	h (HEX)	H (HEX)	L	L1
	Inch	Metric						
JUE-2T	1/8	3	5/16 - 24	1.6	11.1	9.5	27.4	19.6
JUE-3T	3/16	4	3/8 - 24	3.2	11.1	11.1	30.5	21.1
JUE-4T	1/4	6	7/16 - 20	4.4	11.1	14.3	31.7	22.6
JUE-5T	5/16	8	1/2 - 20	6.0	14.3	15.9	34.5	24.1
JUE-6T	3/8	10	9/16 - 18	7.5	14.3	17.5	38.8	26.9
JUE-8T	1/2	12	3/4 - 16	9.9	19.0	22.2	44.5	31.8
JUE-10T	5/8	16	7/8 - 14	12.3	22.2	25.4	53.4	36.8
JUE-12T	3/4	18	1 1/16 - 12	15.5	27.0	31.8	57.7	42.2
JUE-14T	7/8	22	1 3/16 - 12	18.3	33.3	34.9	63.3	45.7
JUE-16T	1	25	1 5/16 - 12	21.4	33.3	38.1	65.0	46.0
JUE-20T	1 1/4	32	1 5/8 - 12	27.4	41.3	50.8	70.8	52.3
JUE-24T	1 1/2	38	1 7/8 - 12	33.3	47.6	57.2	85.9	59.2
JUE-32T	2	50	2 1/2 - 12	45.2	63.5	73.0	105.2	77.7

- Dimensions and Drawings are for reference only and are subject to change without prior notice.
- Unless otherwise specified, all dimensions are in millimeters.
- Sizes, pressure classes, and end connections not listed are available upon request.
- Dimensions shown with SUPERLOK nuts finger-tight, where applicable.

JUT

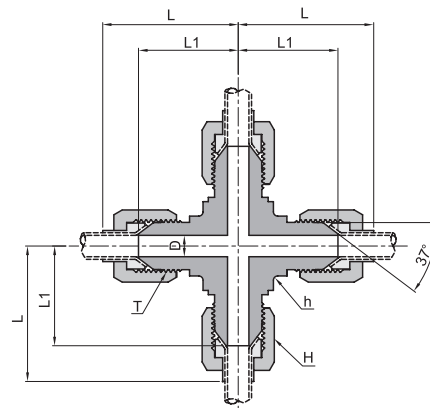
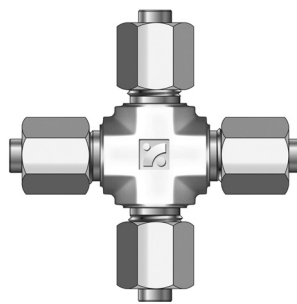
Union Tee



Part No.	Tube OD		T (UNF/UN)	D	h (HEX)	H (HEX)	L	L1
	Inch	Metric						
JUT-2T	1/8	3	5/16 - 24	1.6	11.1	9.5	27.4	19.6
JUT-3T	3/16	4	3/8 - 24	3.2	11.1	11.1	30.5	21.1
JUT-4T	1/4	6	7/16 - 20	4.4	11.1	14.3	31.7	22.6
JUT-5T	5/16	8	1/2 - 20	6.0	14.3	15.9	34.5	24.1
JUT-6T	3/8	10	9/16 - 18	7.5	14.3	17.5	38.8	26.9
JUT-8T	1/2	12	3/4 - 16	9.9	19.0	22.2	44.5	31.8
JUT-10T	5/8	16	7/8 - 14	12.3	22.2	25.4	53.4	36.8
JUT-12T	3/4	18	1 1/16 - 12	15.5	27.0	31.8	57.7	42.2
JUT-14T	7/8	22	1 3/16 - 12	18.3	33.3	34.9	63.3	45.7
JUT-16T	1	25	1 5/16 - 12	21.4	33.3	38.1	65.0	46.0
JUT-20T	1 1/4	32	1 5/8 - 12	27.4	41.3	50.8	70.8	52.3
JUT-24T	1 1/2	38	1 7/8 - 12	33.3	47.6	57.2	85.9	59.2
JUT-32T	2	50	2 1/2 - 12	45.2	63.5	73.0	105.2	77.7

JUC

Union Cross

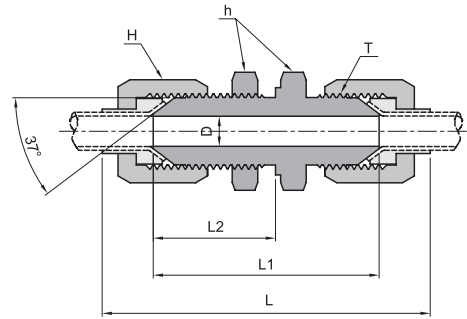
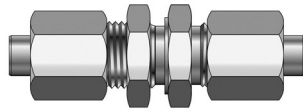


Part No.	Tube OD		T (UNF/UN)	D	h (HEX)	H (HEX)	L	L1
	Inch	Metric						
JUC-2T	1/8	3	5/16 - 24	1.6	11.1	9.5	27.4	19.6
JUC-3T	3/16	4	3/8 - 24	3.2	11.1	11.1	30.5	21.1
JUC-4T	1/4	6	7/16 - 20	4.4	11.1	14.3	31.7	22.6
JUC-5T	5/16	8	1/2 - 20	6.0	14.3	15.9	34.5	24.1
JUC-6T	3/8	10	9/16 - 18	7.5	14.3	17.5	38.8	26.9
JUC-8T	1/2	12	3/4 - 16	9.9	19.0	22.2	44.5	31.8
JUC-10T	5/8	16	7/8 - 14	12.3	22.2	25.4	53.4	36.8
JUC-12T	3/4	18	1 1/16 - 12	15.5	27.0	31.8	57.7	42.2
JUC-14T	7/8	22	1 3/16 - 12	18.3	33.3	34.9	63.3	45.7
JUC-16T	1	25	1 5/16 - 12	21.4	33.3	38.1	65.0	46.0
JUC-20T	1 1/4	32	1 5/8 - 12	27.4	41.3	50.8	70.8	52.3
JUC-24T	1 1/2	38	1 7/8 - 12	33.3	47.6	57.2	85.9	59.2
JUC-32T	2	50	2 1/2 - 12	45.2	63.5	73.0	105.2	77.7

- Dimensions and Drawings are for reference only and are subject to change without prior notice.
- Unless otherwise specified, all dimensions are in millimeters.
- Sizes, pressure classes, and end connections not listed are available upon request.
- Dimensions shown with SUPERLOK nuts finger-tight, where applicable.

JBHU

Bulkhead Union

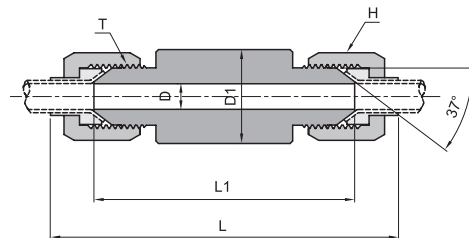


Part No.	Tube OD		T (UNF/UN)	D	h (HEX)	H (HEX)	L	L1	L2
	Inch	Metric							
JBHU-2T	1/8	3	5/16 - 24	1.6	14.3	9.5	63.1	47.5	28.2
JBHU-3T	3/16	4	3/8 - 24	3.2	15.9	11.1	67.1	48.3	28.2
JBHU-4T	1/4	6	7/16 - 20	4.4	17.5	14.3	70.8	52.6	30.5
JBHU-5T	5/16	8	1/2 - 20	6.0	19.1	15.9	73.4	52.6	30.5
JBHU-6T	3/8	10	9/16 - 18	7.5	20.6	17.5	79.2	55.4	32.5
JBHU-8T	1/2	12	3/4 - 16	9.9	25.4	22.2	87.4	62.0	36.6
JBHU-10T	5/8	16	7/8 - 14	12.3	28.6	25.4	102.8	69.6	40.1
JBHU-12T	3/4	18	1 1/16 - 12	15.5	34.9	31.8	109.5	78.5	44.4
JBHU-14T	7/8	22	1 3/16 - 12	18.3	38.1	34.9	114.4	79.2	44.4
JBHU-16T	1	25	1 5/16 - 12	21.4	41.3	38.1	117.8	79.8	44.4
JBHU-20T	1 1/4	32	1 5/8 - 12	27.4	47.6	50.8	121.1	84.1	45.7
JBHU-24T	1 1/2	38	1 7/8 - 12	33.3	54.0	57.2	142.8	89.4	46.0
JBHU-32T	2	50	2 1/2 - 12	45.2	69.9	73.0	161.7	106.7	53.1

JBUW

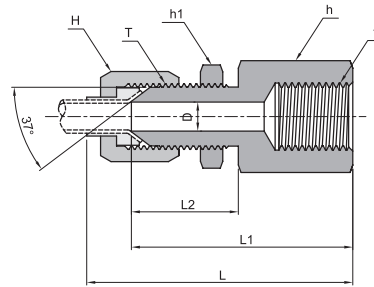
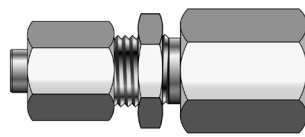
Weld

Bulkhead Union



Part No.	Tube OD		T (UNF/UN)	D	D1	H (HEX)	L	L1
	Inch	Metric						
JBUW-2T	1/8	3	5/16 - 24	1.6	11.0	9.5	85.6	70.0
JBUW-3T	3/16	4	3/8 - 24	3.2	11.0	11.1	88.8	70.0
JBUW-4T	1/4	6	7/16 - 20	4.4	14.0	14.3	98.2	80.0
JBUW-5T	5/16	8	1/2 - 20	6.0	16.0	15.9	120.8	100.0
JBUW-6T	3/8	10	9/16 - 18	7.5	17.0	17.5	123.8	100.0
JBUW-8T	1/2	12	3/4 - 16	9.9	22.0	22.2	125.4	100.0
JBUW-10T	5/8	16	7/8 - 14	12.3	25.0	25.4	143.2	110.0
JBUW-12T	3/4	18	1 1/16 - 12	15.5	30.0	31.8	151.0	120.0
JBUW-14T	7/8	22	1 3/16 - 12	18.3	32.0	34.9	165.0	130.0
JBUW-16T	1	25	1 5/16 - 12	21.4	40.0	38.1	168.0	130.0
JBUW-20T	1 1/4	32	1 5/8 - 12	27.4	46.0	50.8	177.0	140.0
JBUW-24T	1 1/2	38	1 7/8 - 12	33.3	50.0	57.2	193.4	140.0
JBUW-32T	2	50	2 1/2 - 12	45.2	70.0	73.0	205.0	150.0

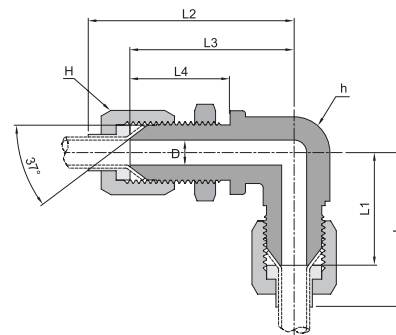
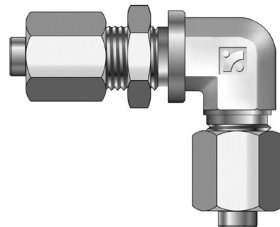
- Dimensions and Drawings are for reference only and are subject to change without prior notice.
- Unless otherwise specified, all dimensions are in millimeters.
- Sizes, pressure classes, and end connections not listed are available upon request.
- Dimensions shown with SUPERLOK nuts finger-tight, where applicable.

JBFCBulkhead
Female Connector

Part No.	Tube OD		T (UNF/UN)	*t (NPT)	D	h (HEX)	h1 (HEX)	H (HEX)	L	L1	L2
	Inch	Metric									
JBFC-2T-01N	1/8	3	5/16 - 24	1/8	1.6	14.3	14.3	9.5	49.0	41.2	28.2
JBFC-3T-01N	3/16	4	3/8 - 24	1/8	3.2	14.3	15.9	11.1	50.6	41.2	28.2
JBFC-4T-01N	1/4	6	7/16 - 20	1/8	4.4	14.3	17.5	14.3	52.6	43.5	30.5
JBFC-5T-01N	5/16	8	1/2 - 20	1/8	6.0	14.3	19.1	15.9	53.9	43.5	30.5
JBFC-6T-02N	3/8	10	9/16 - 18	1/4	7.5	19.1	20.6	17.5	62.5	50.5	32.5
JBFC-8T-03N	1/2	12	3/4 - 16	3/8	9.9	22.2	25.4	22.2	69.3	56.6	36.6
JBFC-10T-04N	5/8	16	7/8 - 14	1/2	12.3	28.6	28.6	25.4	82.7	66.1	40.1
JBFC-12T-06N	3/4	18	1 1/16 - 12	3/4	15.5	34.9	34.9	31.8	86.0	71.4	44.4
JBFC-14T-06N	7/8	22	1 3/16 - 12	3/4	18.3	34.9	38.1	34.9	89.0	71.4	44.4
JBFC-16T-08N	1	25	1 5/16 - 12	1	21.4	41.3	41.3	38.1	94.4	75.4	44.4
JBFC-20T-10N	1 1/4	32	1 5/8 - 12	1 1/4	27.4	50.8	47.6	50.8	99.2	80.7	45.7
JBFC-24T-12N	1 1/2	38	1 7/8 - 12	1 1/2	33.3	60.3	54.0	57.2	107.7	81.0	46.0
JBFC-32T-16N	2	50	2 1/2 - 12	2	45.2	73.0	69.9	73.0	120.6	93.1	53.1

JBUE

Bulkhead Union Elbow



Part No.	Tube OD		T (UNF/UN)	D	h (HEX)	H (HEX)	L	L1	L2	L3	L4
	Inch	Metric									
JBUE-2T	1/8	3	5/16 - 24	1.6	11.1	9.5	30.2	22.4	45.9	38.1	23.4
JBUE-3T	3/16	4	3/8 - 24	3.2	11.1	11.1	33.3	23.9	47.5	38.1	23.4
JBUE-4T	1/4	6	7/16 - 20	4.4	11.1	14.3	33.7	24.6	49.5	40.4	25.9
JBUE-5T	5/16	8	1/2 - 20	6.0	14.3	15.9	37.3	26.9	54.1	43.7	25.9
JBUE-6T	3/8	10	9/16 - 18	7.5	14.3	17.5	39.6	27.7	57.9	46.0	27.7
JBUE-8T	1/2	12	3/4 - 16	9.9	19.0	22.2	47.2	34.5	66.3	53.6	31.8
JBUE-10T	5/8	16	7/8 - 14	12.3	22.2	25.4	56.2	39.6	77.3	60.7	35.8
JBUE-12T	3/4	18	1 1/16 - 12	15.5	27.0	31.8	60.7	45.2	83.1	67.6	39.6
JBUE-14T	7/8	22	1 3/16 - 12	18.3	33.3	34.9	66.4	48.8	88.7	71.1	39.6
JBUE-16T	1	25	1 5/16 - 12	21.4	33.3	38.1	68.3	49.3	90.1	71.1	39.6
JBUE-20T	1 1/4	32	1 5/8 - 12	27.4	41.3	50.8	73.6	55.1	97.7	79.2	40.9
JBUE-24T	1 1/2	38	1 7/8 - 12	33.3	47.6	57.2	86.1	59.4	113.6	86.9	41.1
JBUE-32T	2	50	2 1/2 - 12	45.2	63.5	73.0	100.9	73.4	131.9	104.4	48.5

- Dimensions and Drawings are for reference only and are subject to change without prior notice.

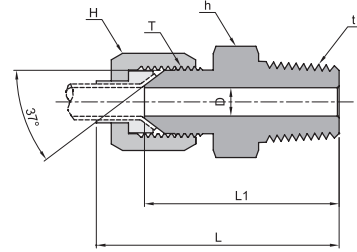
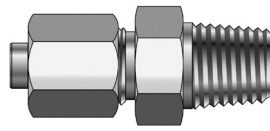
- Unless otherwise specified, all dimensions are in millimeters.

- Sizes, pressure classes, and end connections not listed are available upon request.

- Dimensions shown with SUPERLOK nuts finger-tight, where applicable.

JMC

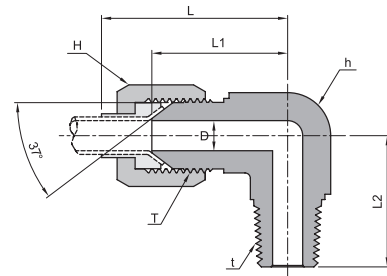
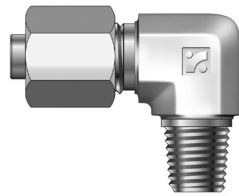
Male Connector



Part No.	Tube OD		T (UNF/UN)	*t (NPT)	D	h (HEX)	H (HEX)	L	L1
	Inch	Metric							
JMC-2T-01N	1/8	3	5/16 - 24	1/8	1.6	11.1	9.5	36.0	28.2
JMC-3T-01N	3/16	4	3/8 - 24	1/8	3.2	11.1	11.1	38.4	29.0
JMC-4T-01N	1/4	6	7/16 - 20	1/8	4.4	12.7	14.3	40.1	31.0
JMC-5T-01N	5/16	8	1/2 - 20	1/8	6.0	14.3	15.9	41.4	31.0
JMC-6T-02N	3/8	10	9/16 - 18	1/4	7.5	15.9	17.5	48.2	36.3
JMC-8T-03N	1/2	12	3/4 - 16	3/8	9.9	20.6	22.2	51.6	38.9
JMC-10T-04N	5/8	16	7/8 - 14	1/2	12.3	23.8	25.4	64.6	48.0
JMC-12T-06N	3/4	18	1 1/16 - 12	3/4	15.5	28.6	31.8	67.8	52.3
JMC-14T-06N	7/8	22	1 3/16 - 12	3/4	18.3	31.8	34.9	70.7	53.1
JMC-16T-08N	1	25	1 5/16 - 12	1	21.4	34.9	38.1	77.4	58.4
JMC-20T-10N	1 1/4	32	1 5/8 - 12	1 1/4	27.4	42.9	50.8	80.7	62.2
JMC-24T-12N	1 1/2	38	1 7/8 - 12	1 1/2	33.3	50.8	57.2	94.8	67.8
JMC-32T-16N	2	50	2 1/2 - 12	2	45.2	66.7	73.0	106.5	79.0

JME

Male Elbow

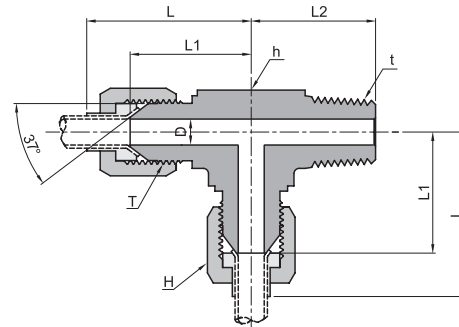
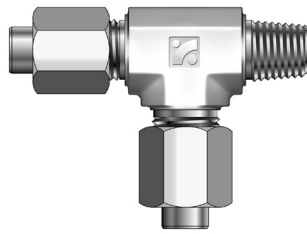


Part No.	Tube OD		T (UNF/UN)	*t (NPT)	D	h (HEX)	H (HEX)	L	L1	L2
	Inch	Metric								
JME-2T-01N	1/8	3	5/16 - 24	1/8	1.6	11.1	9.5	27.4	19.6	18.3
JME-3T-01N	3/16	4	3/8 - 24	1/8	3.2	11.1	11.1	30.5	21.1	18.3
JME-4T-01N	1/4	6	7/16 - 20	1/8	4.4	11.1	14.3	31.7	22.6	19.8
JME-5T-01N	5/16	8	1/2 - 20	1/8	6.0	14.3	15.9	34.5	24.1	19.8
JME-6T-02N	3/8	10	9/16 - 18	1/4	7.5	14.3	17.5	38.8	26.9	27.7
JME-8T-03N	1/2	12	3/4 - 16	3/8	9.9	19.0	22.2	44.5	31.8	31.0
JME-10T-04N	5/8	16	7/8 - 14	1/2	12.3	22.2	25.4	53.4	36.8	37.3
JME-12T-06N	3/4	18	1 1/16 - 12	3/4	15.5	27.0	31.8	57.7	42.2	40.4
JME-14T-06N	7/8	22	1 3/16 - 12	3/4	18.3	33.3	34.9	63.3	45.7	42.9
JME-16T-08N	1	25	1 5/16 - 12	1	21.4	33.3	38.1	65.0	46.0	50.0
JME-20T-10N	1 1/4	32	1 5/8 - 12	1 1/4	27.4	41.3	50.8	70.8	52.3	60.5
JME-24T-12N	1 1/2	38	1 7/8 - 12	1 1/2	33.3	47.6	57.2	85.9	59.2	67.1
JME-32T-16N	2	50	2 1/2 - 12	2	45.2	63.5	73.0	105.2	77.7	76.2

- Dimensions and Drawings are for reference only and are subject to change without prior notice.
- Unless otherwise specified, all dimensions are in millimeters.
- Sizes, pressure classes, and end connections not listed are available upon request.
- Dimensions shown with SUPERLOK nuts finger-tight, where applicable.

JMRT

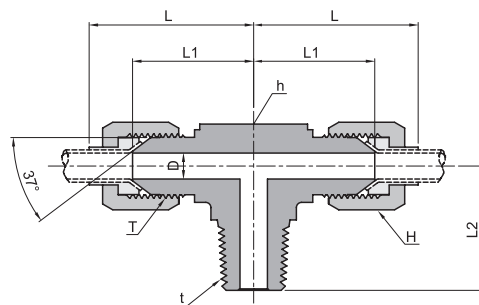
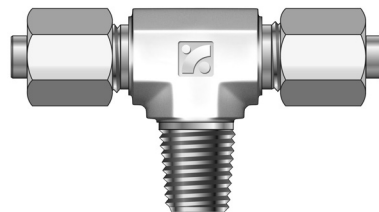
Male Run Tee



Part No.	Tube OD		T (UNF/UN)	*t (NPT)	D	h (HEX)	H (HEX)	L	L1	L2
	Inch	Metric								
JMRT-2T-01N	1/8	3	5/16 - 24	1/8	1.6	11.1	9.5	27.4	19.6	18.3
JMRT-3T-01N	3/16	4	3/8 - 24	1/8	3.2	11.1	11.1	30.5	21.1	18.3
JMRT-4T-01N	1/4	6	7/16 - 20	1/8	4.4	11.1	14.3	31.7	22.6	19.8
JMRT-5T-01N	5/16	8	1/2 - 20	1/8	6.0	14.3	15.9	34.5	24.1	19.8
JMRT-6T-02N	3/8	10	9/16 - 18	1/4	7.5	14.3	17.5	38.8	26.9	27.7
JMRT-8T-03N	1/2	12	3/4 - 16	3/8	9.9	19.0	22.2	44.5	31.8	31.0
JMRT-10T-04N	5/8	16	7/8 - 14	1/2	12.3	22.2	25.4	53.4	36.8	37.3
JMRT-12T-06N	3/4	18	1 1/16 - 12	3/4	15.5	27.0	31.8	57.7	42.2	40.4
JMRT-14T-06N	7/8	22	1 3/16 - 12	3/4	18.3	33.3	34.9	63.3	45.7	42.9
JMRT-16T-08N	1	25	1 5/16 - 12	1	21.4	33.3	38.1	65.0	46.0	50.0
JMRT-20T-10N	1 1/4	32	1 5/8 - 12	1 1/4	27.4	41.3	50.8	70.8	52.3	60.5
JMRT-24T-12N	1 1/2	38	1 7/8 - 12	1 1/2	33.3	47.6	57.2	85.9	59.2	67.1
JMRT-32T-16N	2	50	2 1/2 - 12	2	45.2	63.5	73.0	105.2	77.7	76.2

JMBT

Male Branch Tee

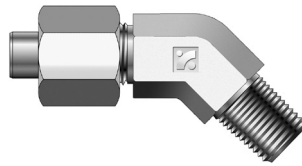


Part No.	Tube OD		T (UNF/UN)	*t (NPT)	D	h (HEX)	H (HEX)	L	L1	L2
	Inch	Metric								
JMBT-2T-01N	1/8	3	5/16 - 24	1/8	1.6	11.1	9.5	27.4	19.6	18.3
JMBT-3T-01N	3/16	4	3/8 - 24	1/8	3.2	11.1	11.1	30.5	21.1	18.3
JMBT-4T-01N	1/4	6	7/16 - 20	1/8	4.4	11.1	14.3	31.7	22.6	19.8
JMBT-5T-01N	5/16	8	1/2 - 20	1/8	6.0	14.3	15.9	34.5	24.1	19.8
JMBT-6T-02N	3/8	10	9/16 - 18	1/4	7.5	14.3	17.5	38.8	26.9	27.7
JMBT-8T-03N	1/2	12	3/4 - 16	3/8	9.9	19.0	22.2	44.5	31.8	31.0
JMBT-10T-04N	5/8	16	7/8 - 14	1/2	12.3	22.2	25.4	53.4	36.8	37.3
JMBT-12T-06N	3/4	18	1 1/16 - 12	3/4	15.5	27.0	31.8	57.7	42.2	40.4
JMBT-14T-06N	7/8	22	1 3/16 - 12	3/4	18.3	33.3	34.9	63.3	45.7	42.9
JMBT-16T-08N	1	25	1 5/16 - 12	1	21.4	33.3	38.1	65.0	46.0	50.0
JMBT-20T-10N	1 1/4	32	1 5/8 - 12	1 1/4	27.4	41.3	50.8	70.8	52.3	60.5
JMBT-24T-12N	1 1/2	38	1 7/8 - 12	1 1/2	33.3	47.6	57.2	85.9	59.2	67.1
JMBT-32T-16N	2	50	2 1/2 - 12	2	45.2	63.5	73.0	105.2	77.7	76.2

- Dimensions and Drawings are for reference only and are subject to change without prior notice.
- Unless otherwise specified, all dimensions are in millimeters.
- Sizes, pressure classes, and end connections not listed are available upon request.
- Dimensions shown with SUPERLOK nuts finger-tight, where applicable.

JHME

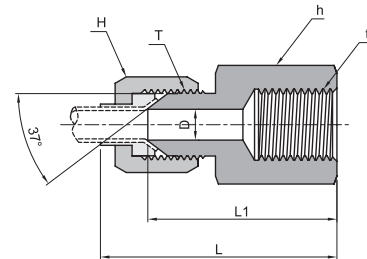
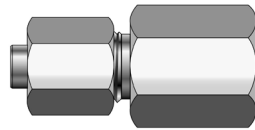
45° Male Elbow



Part No.	Tube OD		T (UNF/UN)	*t (NPT)	D	h (HEX)	H (HEX)	L	L1	L2
	Inch	Metric								
JHME-2T-01N	1/8	3	5/16 - 24	1/8	1.6	11.1	9.5	25.3	17.5	13.2
JHME-3T-01N	3/16	4	3/8 - 24	1/8	3.2	11.1	11.0	26.9	17.5	13.2
JHME-4T-01N	1/4	6	7/16 - 20	1/8	4.4	11.1	14.3	27.4	18.3	16.3
JHME-5T-01N	5/16	8	1/2 - 20	1/8	6.0	14.3	15.9	30.0	19.6	16.3
JHME-6T-02N	3/8	10	9/16 - 18	1/4	7.5	14.3	17.5	33.0	21.1	21.8
JHME-8T-03N	1/2	12	3/4 - 16	3/8	9.9	19.0	22.2	37.6	24.9	24.1
JHME-10T-04N	5/8	16	7/8 - 14	1/2	12.3	22.2	25.4	44.8	28.2	29.7
JHME-12T-06N	3/4	18	1 1/16 - 12	3/4	15.5	27.0	31.8	48.0	32.5	30.5
JHME-14T-06N	7/8	22	1 3/16 - 12	3/4	18.3	33.3	34.9	54.4	36.8	33.0
JHME-16T-08N	1	25	1 5/16 - 12	1	21.4	33.3	38.1	56.3	37.3	37.6
JHME-20T-10N	1 1/4	32	1 5/8 - 12	1 1/4	27.4	41.3	50.8	58.9	40.4	42.4
JHME-24T-12N	1 1/2	38	1 7/8 - 12	1 1/2	33.3	47.6	57.2	71.9	45.2	45.0
JHME-32T-16N	2	50	2 1/2 - 12	2	45.2	63.5	73.0	83.9	56.4	53.6

JFC

Female Connector

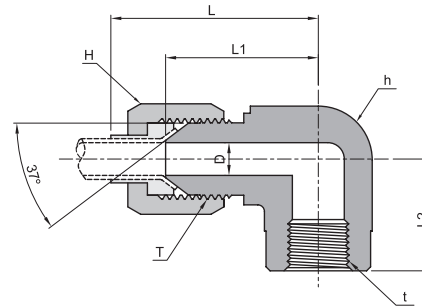
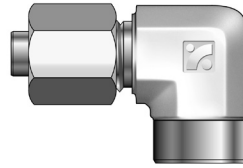


Part No.	Tube OD		T (UNF/UN)	*t (NPT)	D	h (HEX)	H (HEX)	L	L1
	Inch	Metric							
JFC-2T-01N	1/8	3	5/16 - 24	1/8	1.6	14.3	9.5	36.2	28.4
JFC-3T-01N	3/16	4	3/8 - 24	1/8	3.2	14.3	11.1	38.1	28.7
JFC-4T-01N	1/4	6	7/16 - 20	1/8	4.4	14.3	14.3	39.3	30.2
JFC-5T-01N	5/16	8	1/2 - 20	1/8	6.0	14.3	15.9	40.1	29.7
JFC-6T-02N	3/8	10	9/16 - 18	1/4	7.5	19.1	17.5	47.5	35.6
JFC-8T-03N	1/2	12	3/4 - 16	3/8	9.9	22.2	22.2	52.3	39.6
JFC-10T-04N	5/8	16	7/8 - 14	1/2	12.3	28.6	25.4	64.6	48.0
JFC-12T-06N	3/4	18	1 1/16 - 12	3/4	15.5	34.9	31.8	67.8	52.3
JFC-14T-06N	7/8	22	1 3/16 - 12	3/4	18.3	34.9	34.9	69.9	52.3
JFC-16T-08N	1	25	1 5/16 - 12	1	21.4	41.3	38.1	78.7	59.7
JFC-20T-10N	1 1/4	32	1 5/8 - 12	1 1/4	27.4	50.8	50.8	81.7	63.2
JFC-24T-12N	1 1/2	38	1 7/8 - 12	1 1/2	33.3	60.3	57.2	93.2	66.5
JFC-32T-16N	2	50	2 1/2 - 12	2	45.2	73.0	73.0	102.9	75.4

- Dimensions and Drawings are for reference only and are subject to change without prior notice.
- Unless otherwise specified, all dimensions are in millimeters.
- Sizes, pressure classes, and end connections not listed are available upon request.
- Dimensions shown with SUPERLOK nuts finger-tight, where applicable.

JFE

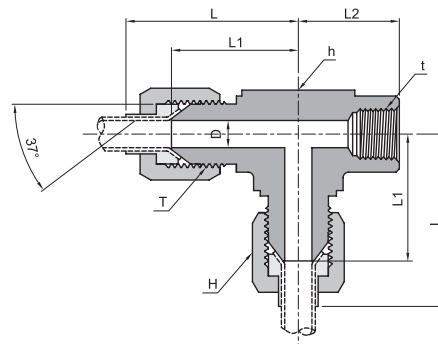
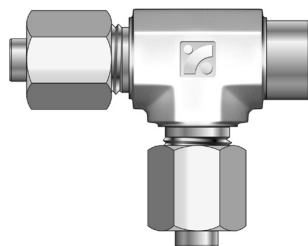
Female Elbow



Part No.	Tube OD		T (UNF/UN)	*t (NPT)	D	h (HEX)	H (HEX)	L	L1	L2
	Inch	Metric								
JFE-2T-01N	1/8	3	5/16 - 24	1/8	1.6	14.3	9.5	33.2	25.4	16.8
JFE-3T-01N	3/16	4	3/8 - 24	1/8	3.2	14.3	11.1	35.6	26.2	16.8
JFE-4T-01N	1/4	6	7/16 - 20	1/8	4.4	14.3	14.3	36.5	27.4	16.8
JFE-5T-01N	5/16	8	1/2 - 20	1/8	6.0	14.3	15.9	37.8	27.4	16.8
JFE-6T-02N	3/8	10	9/16 - 18	1/4	7.5	19.0	17.5	43.1	31.2	22.4
JFE-8T-03N	1/2	12	3/4 - 16	3/8	9.9	22.2	22.2	48.8	36.1	25.9
JFE-10T-04N	5/8	16	7/8 - 14	1/2	12.3	27.0	25.4	58.3	41.7	31.2
JFE-12T-06N	3/4	18	1 1/16 - 12	3/4	15.5	33.3	31.8	63.5	48.0	34.5
JFE-14T-06N	7/8	22	1 3/16 - 12	3/4	18.3	33.3	34.9	64.8	47.2	36.1
JFE-16T-08N	1	25	1 5/16 - 12	1	21.4	41.3	38.1	74.1	55.1	41.1
JFE-20T-10N	1 1/4	32	1 5/8 - 12	1 1/4	27.4	47.6	50.8	77.7	59.2	43.2
JFE-24T-12N	1 1/2	38	1 7/8 - 12	1 1/2	33.3	65.1	57.2	100.1	73.4	52.8
JFE-32T-16N	2	50	2 1/2 - 12	2	45.2	71.4	73.0	111.3	83.8	60.7

JFRT

Female Run Tee

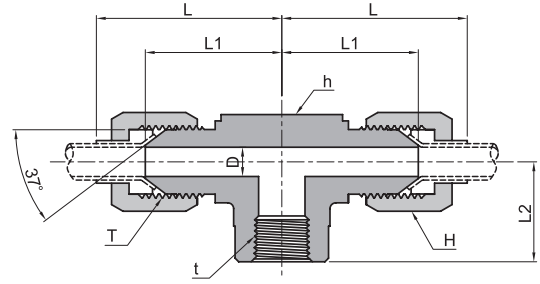
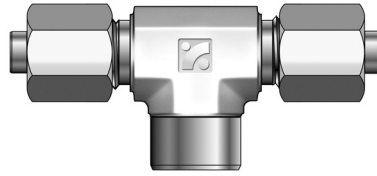


Part No.	Tube OD		T (UNF/UN)	*t (NPT)	D	h (HEX)	H (HEX)	L	L1	L2
	Inch	Metric								
JFRT-2T-01N	1/8	3	5/16 - 24	1/8	1.6	14.3	9.5	33.2	25.4	16.8
JFRT-3T-01N	3/16	4	3/8 - 24	1/8	3.2	14.3	11.1	35.6	26.2	16.8
JFRT-4T-01N	1/4	6	7/16 - 20	1/8	4.4	14.3	14.3	36.5	27.4	16.8
JFRT-5T-01N	5/16	8	1/2 - 20	1/8	6.0	14.3	15.9	37.8	27.4	16.8
JFRT-6T-02N	3/8	10	9/16 - 18	1/4	7.5	19.0	17.5	43.1	31.2	22.4
JFRT-8T-03N	1/2	12	3/4 - 16	3/8	9.9	22.2	22.2	48.8	36.1	25.9
JFRT-10T-04N	5/8	16	7/8 - 14	1/2	12.3	27.0	25.4	58.3	41.7	31.2
JFRT-12T-06N	3/4	18	1 1/16 - 12	3/4	15.5	33.3	31.8	63.5	48.0	34.5
JFRT-14T-06N	7/8	22	1 3/16 - 12	3/4	18.3	33.3	34.9	64.8	47.2	36.1
JFRT-16T-08N	1	25	1 5/16 - 12	1	21.4	41.3	38.1	74.1	55.1	41.1
JFRT-20T-10N	1 1/4	32	1 5/8 - 12	1 1/4	27.4	47.6	50.8	77.7	59.2	43.2
JFRT-24T-12N	1 1/2	38	1 7/8 - 12	1 1/2	33.3	65.1	57.2	100.1	73.4	52.8
JFRT-32T-16N	2	50	2 1/2 - 12	2	45.2	71.4	73.0	111.3	83.8	60.7

- Dimensions and Drawings are for reference only and are subject to change without prior notice.
- Unless otherwise specified, all dimensions are in millimeters.
- Sizes, pressure classes, and end connections not listed are available upon request.
- Dimensions shown with SUPERLOK nuts finger-tight, where applicable.

JFBT

Female Branch Tee

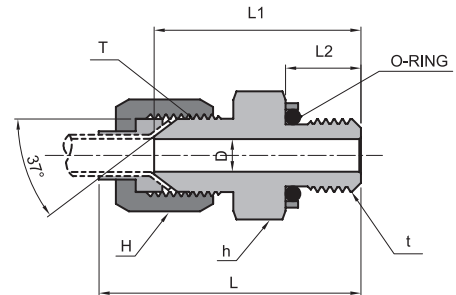
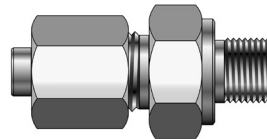


Part No.	Tube OD		T (UNF/UN)	*t (NPT)	D	h (HEX)	H (HEX)	L	L1	L2
	Inch	Metric								
JFBT-2T-01N	1/8	3	5/16 - 24	1/8	1.6	14.3	9.5	33.2	25.4	16.8
JFBT-3T-01N	3/16	4	3/8 - 24	1/8	3.2	14.3	11.1	35.6	26.2	16.8
JFBT-4T-01N	1/4	6	7/16 - 20	1/8	4.4	14.3	14.3	36.5	27.4	16.8
JFBT-5T-01N	5/16	8	1/2 - 20	1/8	6.0	14.3	15.9	37.8	27.4	16.8
JFBT-6T-02N	3/8	10	9/16 - 18	1/4	7.5	19.0	17.5	43.1	31.2	22.4
JFBT-8T-03N	1/2	12	3/4 - 16	3/8	9.9	22.2	22.2	48.8	36.1	25.9
JFBT-10T-04N	5/8	16	7/8 - 14	1/2	12.3	27.0	25.4	58.3	41.7	31.2
JFBT-12T-06N	3/4	18	1 1/16 - 12	3/4	15.5	33.3	31.8	63.5	48.0	34.5
JFBT-14T-06N	7/8	22	1 3/16 - 12	3/4	18.3	33.3	34.9	64.8	47.2	36.1
JFBT-16T-08N	1	25	1 5/16 - 12	1	21.4	41.3	38.1	74.1	55.1	41.1
JFBT-20T-10N	1 1/4	32	1 5/8 - 12	1 1/4	27.4	47.6	50.8	77.7	59.2	43.2
JFBT-24T-12N	1 1/2	38	1 7/8 - 12	1 1/2	33.3	65.1	57.2	100.1	73.4	52.8
JFBT-32T-16N	2	50	2 1/2 - 12	2	45.2	71.4	73.0	111.3	83.8	60.7

JMC-GO

O-Ring Seal

Male Connector(PF)

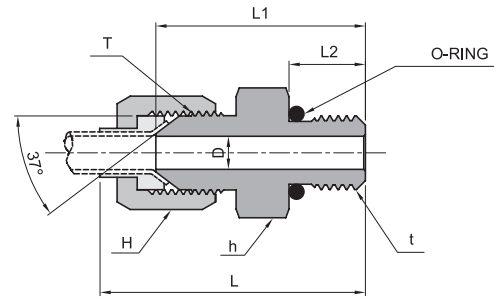
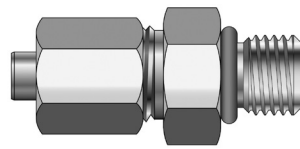


Part No.	Tube OD		T (UNF/UN)	t (PF)	D	h (HEX)	H (HEX)	L	L1	L2
	Inch	Metric								
JMC-2T-01GO	1/8	3	5/16 - 24	1/8	1.6	11.1	9.5	35.3	27.5	8.0
JMC-3T-01GO	3/16	4	3/8 - 24	1/8	3.2	12.7	11.1	37.9	28.5	8.0
JMC-4T-01GO	1/4	6	7/16 - 20	1/8	4.4	14.2	14.3	39.3	30.2	8.0
JMC-5T-01GO	5/16	8	1/2 - 20	1/8	6.0	15.8	15.9	40.6	30.2	8.0
JMC-6T-02GO	3/8	10	9/16 - 18	1/4	7.5	17.4	17.5	46.9	35.0	12.0
JMC-8T-03GO	1/2	12	3/4 - 16	3/8	9.9	22.2	22.2	51.4	38.7	12.0
JMC-10T-04GO	5/8	16	7/8 - 14	1/2	12.3	25.4	25.4	61.1	44.5	14.0
JMC-12T-06GO	3/4	18	1 1/16 - 12	3/4	15.5	31.7	31.8	66.4	50.9	16.0
JMC-14T-06GO	7/8	22	1 3/16 - 12	3/4	18.3	34.9	34.9	69.0	51.4	16.0
JMC-16T-08GO	1	25	1 5/16 - 12	1	21.4	38.0	38.1	71.7	52.7	18.0
JMC-20T-10GO	1 1/4	32	1 5/8 - 12	1 1/4	27.4	42.8	50.8	78.5	60.0	20.0
JMC-24T-12GO	1 1/2	38	1 7/8 - 12	1 1/2	33.3	55.0	57.2	92.8	66.1	21.0
JMC-32T-16GO	2	50	2 1/2 - 12	2	45.2	70.0	73.0	108.0	80.5	25.0

- Dimensions and Drawings are for reference only and are subject to change without prior notice.
- Unless otherwise specified, all dimensions are in millimeters.
- Sizes, pressure classes, and end connections not listed are available upon request.
- Dimensions shown with SUPERLOK nuts finger-tight, where applicable.

JMC-U

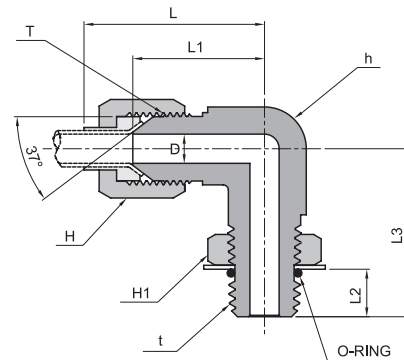
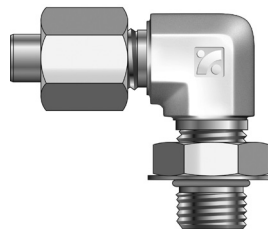
O-Ring Seal
Male Connector (UNF/UN)



Part No.	Tube OD		T (UNF/UN)	t (UNF/UN)	D	h (HEX)	H (HEX)	L	L1	L2
	Inch	Metric								
JMC-2T-02U	1/8	3	5/16 - 24	5/16 - 24	1.6	11.1	9.5	34.7	26.9	7.5
JMC-3T-03U	3/16	4	3/8 - 24	3/8 - 24	3.2	12.7	11.1	37.3	27.9	7.5
JMC-4T-04U	1/4	6	7/16 - 20	7/16 - 20	4.4	14.2	14.3	40.3	31.2	9.1
JMC-5T-05U	5/16	8	1/2 - 20	1/2 - 20	6.0	15.8	15.9	41.6	31.2	9.1
JMC-6T-06U	3/8	10	9/16 - 18	9/16 - 18	7.5	17.4	17.5	44.9	33.0	9.9
JMC-8T-08U	1/2	12	3/4 - 16	3/4 - 16	9.9	22.2	22.2	50.3	37.6	11.1
JMC-10T-10U	5/8	16	7/8 - 14	7/8 - 14	12.3	25.4	25.4	59.8	43.2	12.7
JMC-12T-12U	3/4	18	1 1/16 - 12	1 1/16 - 12	15.5	31.7	31.8	65.5	50.0	15.1
JMC-14T-14U	7/8	22	1 3/16 - 12	1 3/16 - 12	18.3	34.9	34.9	68.1	50.5	15.1
JMC-16T-16U	1	25	1 5/16 - 12	1 5/16 - 12	21.4	38.1	38.1	70.8	51.8	15.1
JMC-20T-20U	1 1/4	32	1 5/8 - 12	1 5/8 - 12	27.4	47.6	50.8	73.6	55.1	15.1
JMC-24T-24U	1 1/2	38	1 7/8 - 12	1 7/8 - 12	33.3	53.9	57.2	86.9	60.2	15.1
JMC-32T-32U	2	50	2 1/2 - 12	2 1/2 - 12	45.2	69.8	73.0	98.1	70.6	15.1

JPME-U

Positionable Male Elbow

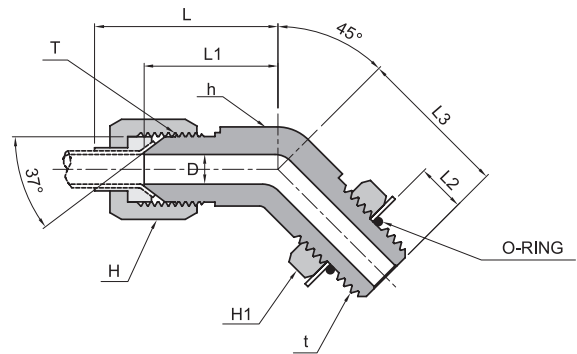
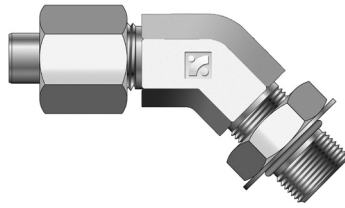


Part No.	Tube OD		T (UNF/UN)	t (UNF/UN)	D	h (HEX)	H (HEX)	H1 (HEX)	L	L1	L2	L3
	Inch	Metric										
JPME-2T-02U	1/8	3	5/16 - 24	5/16 - 24	1.6	11.1	9.5	11.1	27.4	19.6	8.4	23.9
JPME-3T-03U	3/16	4	3/8 - 24	3/8 - 24	3.2	11.1	11.1	12.7	30.5	21.1	8.4	23.9
JPME-4T-04U	1/4	6	7/16 - 20	7/16 - 20	4.4	11.1	14.3	14.3	31.7	22.6	9.8	26.2
JPME-5T-05U	5/16	8	1/2 - 20	1/2 - 20	6.0	14.3	15.9	15.9	34.5	24.1	9.8	28.7
JPME-6T-06U	3/8	10	9/16 - 18	9/16 - 18	7.5	14.3	17.5	17.5	38.8	26.9	9.9	31.8
JPME-8T-08U	1/2	12	3/4 - 16	3/4 - 16	9.9	19.0	22.2	22.2	44.5	31.8	11.0	36.8
JPME-10T-10U	5/8	16	7/8 - 14	7/8 - 14	12.3	22.2	25.4	25.4	53.4	36.8	12.5	43.2
JPME-12T-12U	3/4	18	1 1/16 - 12	1 1/16 - 12	15.5	27.0	31.8	31.8	57.7	42.2	16.5	49.3
JPME-14T-14U	7/8	22	1 3/16 - 12	1 3/16 - 12	18.3	33.3	34.9	34.9	63.3	45.7	16.5	50.8
JPME-16T-16U	1	25	1 5/16 - 12	1 5/16 - 12	21.4	33.3	38.1	38.1	65.0	46.0	16.5	52.1
JPME-20T-20U	1 1/4	32	1 5/8 - 12	1 5/8 - 12	27.4	41.3	50.8	47.6	70.8	52.3	16.5	57.2
JPME-24T-24U	1 1/2	38	1 7/8 - 12	1 7/8 - 12	33.3	47.6	57.2	53.9	85.9	59.2	16.5	60.7
JPME-32T-32U	2	50	2 1/2 - 12	2 1/2 - 12	45.2	63.5	73.0	69.8	105.2	77.7	16.5	73.4

- Dimensions and Drawings are for reference only and are subject to change without prior notice.
- Unless otherwise specified, all dimensions are in millimeters.
- Sizes, pressure classes, and end connections not listed are available upon request.
- Dimensions shown with SUPERLOK nuts finger-tight, where applicable.

JPHME-U

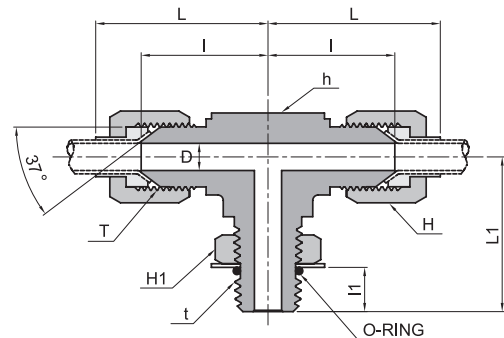
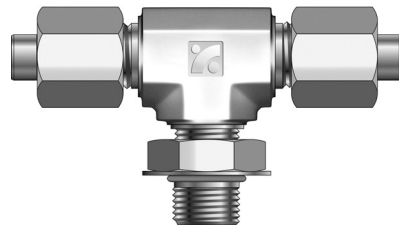
Positionable
45° Male Elbow



Part No.	Tube OD		T (UNF/UN)	t (UNF/UN)	D	h (HEX)	H (HEX)	H1 (HEX)	L	L1	L2	L3
	Inch	Metric										
JPHME-2T-02U	1/8	3	5/16 - 24	5/16 - 24	1.6	11.1	9.5	11.1	25.3	17.5	8.4	23.9
JPHME-3T-03U	3/16	4	3/8 - 24	3/8 - 24	3.2	11.1	11.1	12.7	26.9	17.5	8.4	23.9
JPHME-4T-04U	1/4	6	7/16 - 20	7/16 - 20	4.4	11.1	14.3	14.3	27.4	18.3	9.8	23.9
JPHME-5T-05U	5/16	8	1/2 - 20	1/2 - 20	6.0	14.3	15.9	15.9	30.3	19.6	9.8	25.4
JPHME-6T-06U	3/8	10	9/16 - 18	9/16 - 18	7.5	14.3	17.5	17.5	33.0	21.1	9.9	28.4
JPHME-8T-08U	1/2	12	3/4 - 16	3/4 - 16	9.9	19.0	22.2	22.2	37.6	24.9	11.0	32.5
JPHME-10T-10U	5/8	16	7/8 - 14	7/8 - 14	12.3	22.2	25.4	25.4	44.8	28.2	12.5	36.6
JPHME-12T-12U	3/4	18	1 1/16 - 12	1 1/16 - 12	15.5	27.0	31.8	31.8	48.0	32.5	16.5	43.9
JPHME-14T-14U	7/8	22	1 3/16 - 12	1 3/16 - 12	18.3	33.3	34.9	34.9	54.4	36.8	16.5	45.7
JPHME-16T-16U	1	25	1 5/16 - 12	1 5/16 - 12	21.4	33.3	38.1	38.1	56.3	37.3	16.5	47.2
JPHME-20T-20U	1 1/4	32	1 5/8 - 12	1 5/8 - 12	27.4	41.3	50.8	47.6	58.9	40.4	16.5	48.5
JPHME-24T-24U	1 1/2	38	1 7/8 - 12	1 7/8 - 12	33.3	47.6	57.2	53.9	71.9	45.2	16.5	48.5
JPHME-32T-32U	2	50	2 1/2 - 12	2 1/2 - 12	45.2	63.5	73.0	69.8	83.9	56.4	16.5	47.2

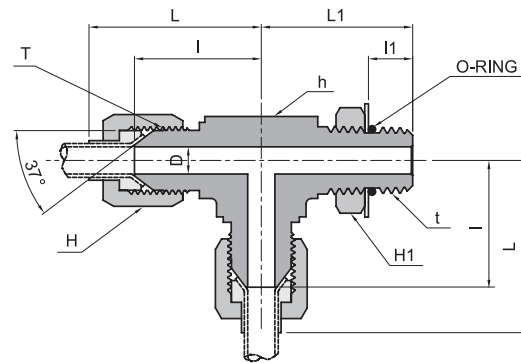
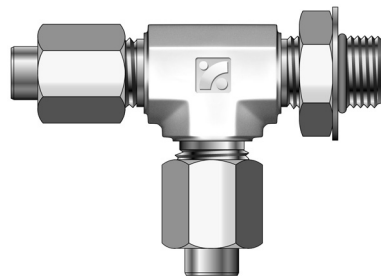
JPMBT-U

Positionable
Male Branch Tee



Part No.	Tube OD		T (UNF/UN)	t (UNF/UN)	D	h (HEX)	H (HEX)	H1 (HEX)	L	L1	I	I1
	Inch	Metric										
JPMBT-2T-02U	1/8	3	5/16 - 24	5/16 - 24	1.6	11.1	9.5	11.1	27.4	23.9	19.6	8.4
JPMBT-3T-03U	3/16	4	3/8 - 24	3/8 - 24	3.2	11.1	11.1	12.7	30.5	23.9	21.1	8.4
JPMBT-4T-04U	1/4	6	7/16 - 20	7/16 - 20	4.4	11.1	14.3	14.3	31.7	26.2	22.6	9.8
JPMBT-5T-05U	5/16	8	1/2 - 20	1/2 - 20	6.0	14.3	15.9	15.9	34.5	28.7	24.1	9.8
JPMBT-6T-06U	3/8	10	9/16 - 18	9/16 - 18	7.5	14.3	17.5	17.5	38.8	31.8	26.9	9.9
JPMBT-8T-08U	1/2	12	3/4 - 16	3/4 - 16	9.9	19.0	22.2	22.2	44.5	36.8	31.8	11.0
JPMBT-10T-10U	5/8	16	7/8 - 14	7/8 - 14	12.3	22.2	25.4	25.4	53.4	43.2	36.8	12.5
JPMBT-12T-12U	3/4	18	1 1/16 - 12	1 1/16 - 12	15.5	27.0	31.8	31.8	57.7	49.3	42.2	16.5
JPMBT-14T-14U	7/8	22	1 3/16 - 12	1 3/16 - 12	18.3	33.3	35.0	34.9	63.3	50.8	45.7	16.5
JPMBT-16T-16U	1	25	1 5/16 - 12	1 5/16 - 12	21.4	33.3	38.0	38.1	65.0	52.1	46.0	16.5
JPMBT-20T-20U	1 1/4	32	1 5/8 - 12	1 5/8 - 12	27.4	41.3	50.8	47.6	70.8	57.2	52.3	16.5
JPMBT-24T-24U	1 1/2	38	1 7/8 - 12	1 7/8 - 12	33.3	47.6	57.2	53.9	85.9	60.7	59.2	16.5
JPMBT-32T-32U	2	50	2 1/2 - 12	2 1/2 - 12	45.2	63.5	73.0	69.8	105.2	73.4	77.7	16.5

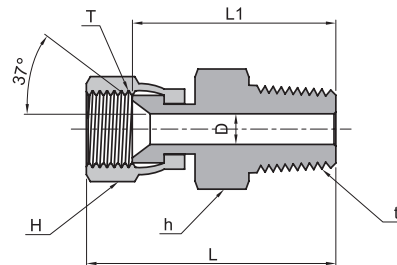
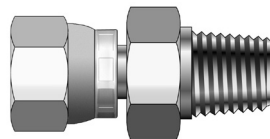
- Dimensions and Drawings are for reference only and are subject to change without prior notice.
- Unless otherwise specified, all dimensions are in millimeters.
- Sizes, pressure classes, and end connections not listed are available upon request.
- Dimensions shown with SUPERLOK nuts finger-tight, where applicable.

JPMRT-UPositionable
Male Run Tee

Part No.	Tube OD		T (UNF/UN)	t (UNF/UN)	D	h (HEX)	H (HEX)	H1 (HEX)	L	L1	I	I1
	Inch	Metric										
JPMRT-2T-02U	1/8	3	5/16 - 24	5/16 - 24	1.6	11.1	9.5	11.1	27.4	23.9	19.6	8.4
JPMRT-3T-03U	3/16	4	3/8 - 24	3/8 - 24	3.2	11.1	11.1	12.7	30.5	23.9	21.1	8.4
JPMRT-4T-04U	1/4	6	7/16 - 20	7/16 - 20	4.4	11.1	14.3	14.3	31.7	26.2	22.6	9.8
JPMRT-5T-05U	5/16	8	1/2 - 20	1/2 - 20	6.0	14.3	15.9	15.9	34.5	28.7	24.1	9.8
JPMRT-6T-06U	3/8	10	9/16 - 18	9/16 - 18	7.5	14.3	17.5	17.5	38.8	31.8	26.9	9.9
JPMRT-8T-08U	1/2	12	3/4 - 16	3/4 - 16	9.9	19.0	22.2	22.2	44.5	36.8	31.8	11.0
JPMRT-10T-10U	5/8	16	7/8 - 14	7/8 - 14	12.3	22.2	25.4	25.4	53.4	43.2	36.8	12.5
JPMRT-12T-12U	3/4	18	1 1/16 - 12	1 1/16 - 12	15.5	27.0	31.8	31.8	57.7	49.3	42.2	16.5
JPMRT-14T-14U	7/8	22	1 3/16 - 12	1 3/16 - 12	18.3	33.3	34.9	34.9	63.3	50.8	45.7	16.5
JPMRT-16T-16U	1	25	1 5/16 - 12	1 5/16 - 12	21.4	33.3	38.1	38.1	65.0	52.1	46.0	16.5
JPMRT-20T-20U	1 1/4	32	1 5/8 - 12	1 5/8 - 12	27.4	41.3	50.8	47.6	70.8	57.2	52.3	16.5
JPMRT-24T-24U	1 1/2	38	1 7/8 - 12	1 7/8 - 12	33.3	47.6	57.2	53.9	85.9	60.7	59.2	16.5
JPMRT-32T-32U	2	50	2 1/2 - 12	2 1/2 - 12	45.2	63.5	73.0	69.8	105.2	73.4	77.7	16.5

JMSC

Male Swivel Connector

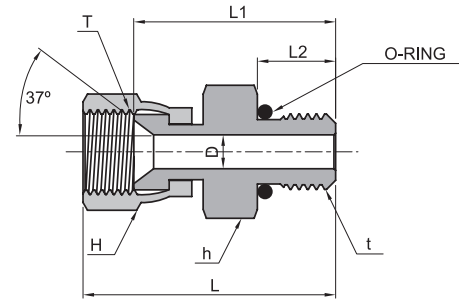
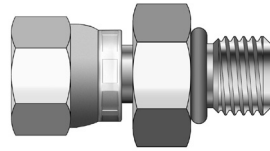


Part No.	Tube OD		T (UNF/UN)	*t (NPT)	D	h (HEX)	H (HEX)	L	L1
	Inch	Metric							
JMSC-2T-01N	1/8	3	5/16 - 24	1/8	1.6	11.1	11.1	30.0	22.0
JMSC-3T-01N	3/16	4	3/8 - 24	1/8	3.2	11.1	12.7	32.0	23.5
JMSC-4T-01N	1/4	6	7/16 - 20	1/8	4.4	12.7	14.3	34.2	25.5
JMSC-5T-01N	5/16	8	1/2 - 20	1/8	6.0	14.2	15.9	35.0	25.5
JMSC-6T-02N	3/8	10	9/16 - 18	1/4	7.5	16.0	17.5	40.2	30.7
JMSC-8T-03N	1/2	12	3/4 - 16	3/8	9.9	21.0	22.2	42.7	32.0
JMSC-10T-04N	5/8	16	7/8 - 14	1/2	12.3	23.8	25.4	51.3	38.6
JMSC-12T-06N	3/4	18	1 1/16 - 12	3/4	15.5	29.0	31.8	54.5	40.2
JMSC-14T-06N	7/8	22	1 3/16 - 12	3/4	18.3	32.0	34.9	56.0	41.2
JMSC-16T-08N	1	25	1 5/16 - 12	1	21.4	36.0	38.1	63.7	48.6
JMSC-20T-10N	1 1/4	32	1 5/8 - 12	1 1/4	27.4	46.0	50.8	68.9	53.0
JMSC-24T-12N	1 1/2	38	1 7/8 - 12	1 1/2	33.3	50.0	57.2	77.6	59.0
JMSC-32T-16N	2	50	2 1/2 - 12	2	45.2	66.7	73.0	92.9	69.1

- Dimensions and Drawings are for reference only and are subject to change without prior notice.
- Unless otherwise specified, all dimensions are in millimeters.
- Sizes, pressure classes, and end connections not listed are available upon request.
- Dimensions shown with SUPERLOK nuts finger-tight, where applicable.

JMSC-U

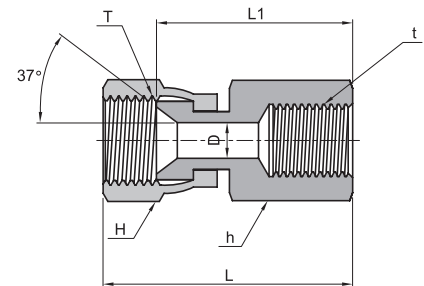
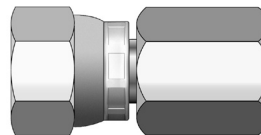
O-Ring Seal
Male Swivel Connector



Part No.	Tube OD		T (UNF/UN)	t (UNF/UN)	D	h (HEX)	H (HEX)	L	L1	L2
	Inch	Metric								
JMSC-2T-02U	1/8	3	5/16 - 24	5/16 - 24	1.6	11.1	11.1	30.4	22.5	7.5
JMSC-3T-03U	3/16	4	3/8 - 24	3/8 - 24	3.2	12.7	12.7	31.0	22.7	7.5
JMSC-4T-04U	1/4	6	7/16 - 20	7/16 - 20	4.4	14.2	14.3	33.9	25.2	9.1
JMSC-5T-05U	5/16	8	1/2 - 20	1/2 - 20	6.0	15.8	15.9	35.7	26.2	9.1
JMSC-6T-06U	3/8	10	9/16 - 18	9/16 - 18	7.5	17.4	17.5	37.4	27.9	9.9
JMSC-8T-08U	1/2	12	3/4 - 16	3/4 - 16	9.9	22.2	22.2	41.6	30.9	11.1
JMSC-10T-10U	5/8	16	7/8 - 14	7/8 - 14	12.3	25.4	25.4	47.6	34.9	12.7
JMSC-12T-12U	3/4	18	1 1/16 - 12	1 1/16 - 12	15.5	31.8	31.8	54.4	40.1	15.1
JMSC-14T-14U	7/8	22	1 3/16 - 12	1 3/16 - 12	18.3	34.9	34.9	55.6	40.9	15.1
JMSC-16T-16U	1	25	1 5/16 - 12	1 5/16 - 12	21.4	38.1	38.1	56.8	41.7	15.1
JMSC-20T-20U	1 1/4	32	1 5/8 - 12	1 5/8 - 12	27.4	47.6	50.8	63.2	47.3	15.1
JMSC-24T-24U	1 1/2	38	1 7/8 - 12	1 7/8 - 12	33.3	54.0	57.2	71.3	52.7	15.1
JMSC-32T-32U	2	50	2 1/2 - 12	2 1/2 - 12	45.2	70.0	73.0	72.5	58.7	15.1

JFSC

Female Swivel Connector

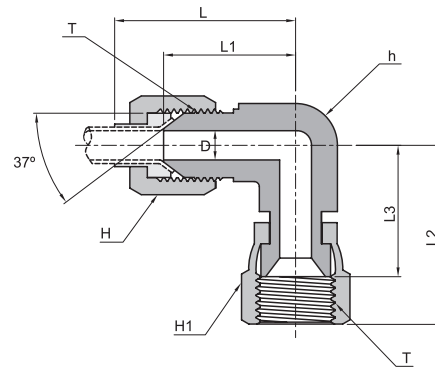
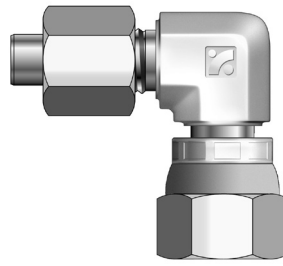


Part No.	Tube OD		T (UNF/UN)	*t (NPT)	D	h (HEX)	H (HEX)	L	L1
	Inch	Metric							
JFSC-2T-01N	1/8	3	5/16 - 24	1/8	1.6	14.3	11.1	36.1	28.2
JFSC-3T-01N	3/16	4	3/8 - 24	1/8	3.2	14.3	12.7	37.3	29.0
JFSC-4T-01N	1/4	6	7/16 - 20	1/8	4.4	14.3	14.3	39.7	31.0
JFSC-5T-01N	5/16	8	1/2 - 20	1/8	6.0	14.3	15.9	40.5	31.0
JFSC-6T-02N	3/8	10	9/16 - 18	1/4	7.5	19.1	17.5	45.8	36.3
JFSC-8T-03N	1/2	12	3/4 - 16	3/8	9.9	22.2	22.2	47.0	38.9
JFSC-10T-04N	5/8	16	7/8 - 14	1/2	12.3	28.6	25.4	50.3	37.0
JFSC-12T-06N	3/4	18	1 1/16 - 12	3/4	15.5	34.9	31.8	66.6	52.3
JFSC-14T-06N	7/8	22	1 3/16 - 12	3/4	18.3	34.9	34.9	67.8	53.1
JFSC-16T-08N	1	25	1 5/16 - 12	1	21.4	41.3	38.1	73.5	58.4
JFSC-20T-10N	1 1/4	32	1 5/8 - 12	1 1/4	27.4	50.8	50.8	78.1	62.2
JFSC-24T-12N	1 1/2	38	1 7/8 - 12	1 1/2	33.3	60.3	57.2	86.7	68.1
JFSC-32T-16N	2	50	2 1/2 - 12	2	45.2	73.0	73.0	89.3	65.5

- Dimensions and Drawings are for reference only and are subject to change without prior notice.
- Unless otherwise specified, all dimensions are in millimeters.
- Sizes, pressure classes, and end connections not listed are available upon request.
- Dimensions shown with SUPERLOK nuts finger-tight, where applicable.

JSE

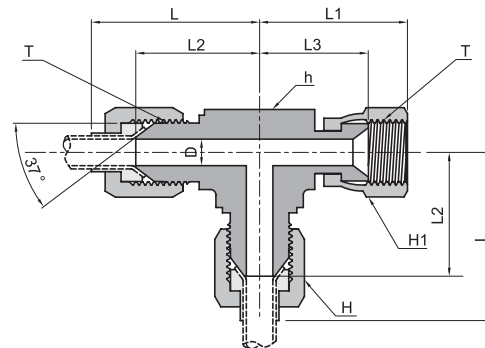
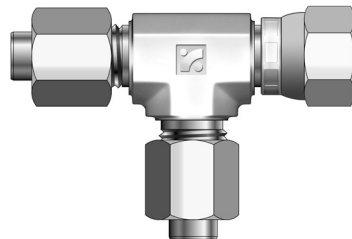
Swivel Elbow



Part No.	Tube OD		T (UNF/UN)	D	h (HEX)	H (HEX)	H1 (HEX)	L	L1	L2	L3
	Inch	Metric									
JSE-2T	1/8	3	5/16 - 24	1.6	11.1	9.5	11.1	27.4	19.6	24.6	16.7
JSE-3T	3/16	4	3/8 - 24	3.2	11.1	11.1	12.7	30.5	21.1	25.4	17.1
JSE-4T	1/4	6	7/16 - 20	4.4	11.1	14.3	14.3	31.7	22.6	25.4	16.7
JSE-5T	5/16	8	1/2 - 20	6.0	14.3	15.9	15.9	34.5	24.1	26.9	17.4
JSE-6T	3/8	10	9/16 - 18	7.5	14.3	17.5	17.5	38.8	26.9	31.8	22.3
JSE-8T	1/2	12	3/4 - 16	9.9	19.0	22.2	22.2	44.5	31.8	35.1	24.4
JSE-10T	5/8	16	7/8 - 14	12.3	22.2	25.4	25.4	53.4	36.8	41.1	28.4
JSE-12T	3/4	18	1 1/16 - 12	15.5	27.0	31.8	31.8	57.7	42.2	44.4	30.1
JSE-14T	7/8	22	1 3/16 - 12	18.3	33.3	34.9	34.9	63.3	45.7	45.2	30.5
JSE-16T	1	25	1 5/16 - 12	21.4	33.3	38.1	38.1	65.0	46.0	50.8	35.7
JSE-20T	1 1/4	32	1 5/8 - 12	27.4	41.3	50.8	50.8	70.8	52.3	58.7	42.8
JSE-24T	1 1/2	38	1 7/8 - 12	33.3	47.6	57.2	57.2	85.9	59.2	65.8	47.2
JSE-32T	2	50	2 1/2 - 12	45.2	63.5	73.0	73.0	105.2	77.7	85.9	62.1

JSRT

Swivel Run Tee

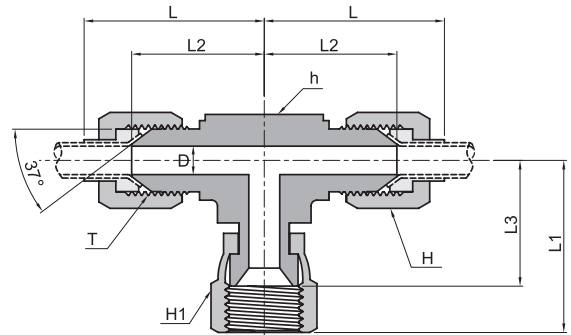
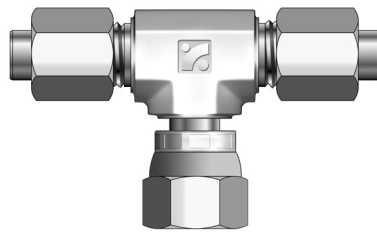


Part No.	Tube OD		T (UNF/UN)	D	h (HEX)	H (HEX)	H1 (HEX)	L	L1	L2	L3
	Inch	Metric									
JSRT-2T	1/8	3	5/16 - 24	1.6	11.1	9.5	11.1	27.4	24.6	19.6	16.7
JSRT-3T	3/16	4	3/8 - 24	3.2	11.1	11.1	12.7	30.5	25.4	21.1	17.1
JSRT-4T	1/4	6	7/16 - 20	4.4	11.1	14.3	14.3	31.7	25.4	22.6	16.7
JSRT-5T	5/16	8	1/2 - 20	6.0	14.3	15.9	15.9	34.5	26.9	24.1	17.4
JSRT-6T	3/8	10	9/16 - 18	7.5	14.3	17.5	17.5	38.8	31.8	26.9	22.3
JSRT-8T	1/2	12	3/4 - 16	9.9	19.0	22.2	22.2	44.5	35.1	31.8	24.4
JSRT-10T	5/8	16	7/8 - 14	12.3	22.2	25.4	25.4	53.4	41.1	36.8	28.4
JSRT-12T	3/4	18	1 1/16 - 12	15.5	27.0	31.8	31.8	57.7	44.4	42.2	30.1
JSRT-14T	7/8	22	1 3/16 - 12	18.3	33.3	34.9	34.9	63.3	45.2	45.7	30.5
JSRT-16T	1	25	1 5/16 - 12	21.4	33.3	38.1	38.1	65.0	50.8	46.0	35.7
JSRT-20T	1 1/4	32	1 5/8 - 12	27.4	41.3	50.8	50.8	70.8	58.7	52.3	42.8
JSRT-24T	1 1/2	38	1 7/8 - 12	33.3	47.6	57.2	57.2	85.9	65.8	59.2	47.2
JSRT-32T	2	50	2 1/2 - 12	45.2	63.5	73.0	73.0	105.2	85.9	77.7	62.1

- Dimensions and Drawings are for reference only and are subject to change without prior notice.
- Unless otherwise specified, all dimensions are in millimeters.
- Sizes, pressure classes, and end connections not listed are available upon request.
- Dimensions shown with SUPERLOK nuts finger-tight, where applicable.

JSBT

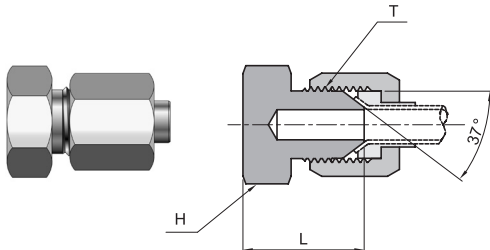
Swivel Branch Tee



Part No.	Tube OD		T (UNF/UN)	D	h (HEX)	H (HEX)	H1 (HEX)	L	L1	L2	L3
	Inch	Metric									
JSBT-2T	1/8	3	5/16 - 24	1.6	11.1	9.5	11.1	27.4	24.6	19.6	16.7
JSBT-3T	3/16	4	3/8 - 24	3.2	11.1	11.1	12.7	30.5	25.4	21.1	17.1
JSBT-4T	1/4	6	7/16 - 20	4.4	11.1	14.3	14.3	31.7	25.4	22.6	16.7
JSBT-5T	5/16	8	1/2 - 20	6.0	14.3	15.9	15.9	34.5	26.9	24.1	17.4
JSBT-6T	3/8	10	9/16 - 18	7.5	14.3	17.5	17.5	38.8	31.8	26.9	22.3
JSBT-8T	1/2	12	3/4 - 16	9.9	19.0	22.2	22.2	44.5	35.1	31.8	24.4
JSBT-10T	5/8	16	7/8 - 14	12.3	22.2	25.4	25.4	53.4	41.1	36.8	28.4
JSBT-12T	3/4	18	1 1/16 - 12	15.5	27.0	38.1	31.8	57.7	44.4	42.2	30.1
JSBT-14T	7/8	22	1 3/16 - 12	18.3	33.3	34.9	34.9	63.3	45.2	45.7	30.5
JSBT-16T	1	25	1 5/16 - 12	21.4	33.3	38.1	38.1	65.0	50.8	46.0	35.7
JSBT-20T	1 1/4	32	1 5/8 - 12	27.4	41.3	50.8	50.8	70.8	58.7	52.3	42.8
JSBT-24T	1 1/2	38	1 7/8 - 12	33.3	47.6	57.2	57.2	85.9	65.8	59.2	47.2
JSBT-32T	2	50	2 1/2 - 12	45.2	63.5	73.0	73.0	105.2	85.9	77.7	62.1

JP

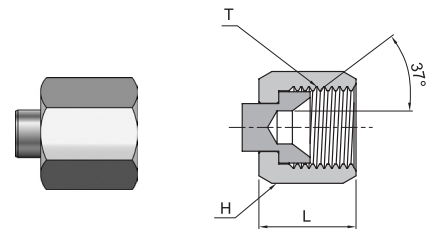
Plug



Part No.	Tube OD		T (UNF/UN)	H (HEX)	L
	Inch	Metric			
JP-2T	1/8	3	5/16 - 24	11.1	17.8
JP-3T	3/16	4	3/8 - 24	11.1	18.5
JP-4T	1/4	6	7/16 - 20	12.7	20.3
JP-5T	5/16	8	1/2 - 20	14.3	20.3
JP-6T	3/8	10	9/16 - 18	15.9	21.3
JP-8T	1/2	12	3/4 - 16	20.6	23.9
JP-10T	5/8	16	7/8 - 14	25.4	27.9
JP-12T	3/4	18	1 1/16 - 12	28.6	32.5
JP-14T	7/8	22	1 3/16 - 12	31.8	33.3
JP-16T	1	25	1 5/16 - 12	34.9	33.8
JP-20T	1 1/4	32	1 5/8 - 12	42.9	36.8
JP-24T	1 1/2	38	1 7/8 - 12	50.8	41.9
JP-32T	2	50	2 1/2 - 12	66.7	52.1

JC

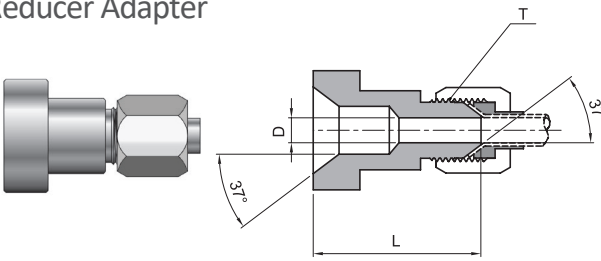
Tube Cap



Part No.	Tube OD		T (UNF/UN)	H (HEX)	L
	Inch	Metric			
JC-2T	1/8	3	5/16 - 24	9.5	13.7
JC-3T	3/16	4	3/8 - 24	11.1	15.2
JC-4T	1/4	6	7/16 - 20	14.3	15.5
JC-5T	5/16	8	1/2 - 20	15.9	17.0
JC-6T	3/8	10	9/16 - 18	17.5	18.3
JC-8T	1/2	12	3/4 - 16	22.2	21.3
JC-10T	5/8	16	7/8 - 14	25.4	24.6
JC-12T	3/4	18	1 1/16 - 12	31.8	25.9
JC-14T	7/8	22	1 3/16 - 12	34.9	27.4
JC-16T	1	25	1 5/16 - 12	38.1	28.4
JC-20T	1 1/4	32	1 5/8 - 12	50.8	31.0
JC-24T	1 1/2	38	1 7/8 - 12	57.2	35.8
JC-32T	2	50	2 1/2 - 12	73.0	44.2

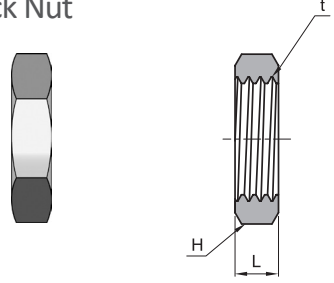
- Dimensions and Drawings are for reference only and are subject to change without prior notice.
- Unless otherwise specified, all dimensions are in millimeters.
- Sizes, pressure classes, and end connections not listed are available upon request.
- Dimensions shown with SUPERLOK nuts finger-tight, where applicable.

JRA
Reducer Adapter



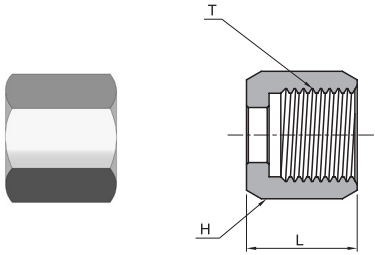
Part No.	Reducing Tube OD		T (UNF/UN)	D	L
	Inch	Metric			
JRA-6T-4T	3/8	x1/4	7/16 - 20	4.4	24.6
JRA-8T-4T	1/2	x1/4	7/16 - 20	4.4	25.4
JRA-8T-6T	1/2	x3/8	9/16 - 18	7.5	25.4
JRA-10T-4T	5/8	x1/4	7/16 - 20	4.4	26.2
JRA-10T-6T	5/8	x3/8	9/16 - 18	7.5	26.2
JRA-12T-4T	3/4	x1/4	7/16 - 20	4.4	27.7
JRA-12T-6T	3/4	x3/8	9/16 - 18	7.5	27.7
JRA-12T-8T	3/4	x1/2	3/4 - 16	10.0	30.2
JRA-16T-12T	1	x3/4	1 1/16 - 12	15.5	37.3
JRA-20T-12T	1 1/4	x3/4	1 1/16 - 12	15.5	38.3
JRA-20T-16T	1 1/4	x1	1 5/8 - 12	21.5	40.3
JRA-24T-20T	1 1/2	x1 1/4	1 5/8 - 12	27.5	42.9

JLN
Bulkhead Lock Nut



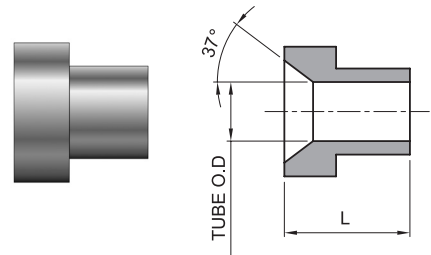
Part No.	Tube OD		T (UNF/UN)	H (HEX)	L
	Inch	Metric			
JLN-2T	1/8	3	5/16 - 24	14.3	5.6
JLN-3T	3/16	4	3/8 - 24	15.9	5.6
JLN-4T	1/4	6	7/16 - 20	17.5	7.1
JLN-5T	5/16	8	1/2 - 20	19.1	7.1
JLN-6T	3/8	10	9/16 - 18	20.6	6.9
JLN-8T	1/2	12	3/4 - 16	25.4	7.9
JLN-10T	5/8	16	7/8 - 14	28.6	9.1
JLN-12T	3/4	18	1 1/16 - 12	34.9	10.4
JLN-14T	7/8	22	1 3/16 - 12	38.1	10.4
JLN-16T	1	25	1 5/16 - 12	41.3	10.4
JLN-20T	1 1/4	32	1 5/8 - 12	47.6	10.4
JLN-24T	1 1/2	38	1 7/8 - 12	54.0	10.4
JLN-32T	2	50	2 1/2 - 12	69.9	10.4

JN
Nut



Part No.	Tube OD		T (UNF/UN)	H (HEX)	L
	Inch	Metric			
JN-2T	1/8	3	5/16 - 24	9.5	14.0
JN-3T	3/16	4	3/8 - 24	11.1	15.5
JN-4T	1/4	6	7/16 - 20	14.3	15.8
JN-5T	5/16	8	1/2 - 20	15.9	17.3
JN-6T	3/8	10	9/16 - 18	17.5	18.5
JN-8T	1/2	12	3/4 - 16	22.2	21.6
JN-10T	5/8	16	7/8 - 14	25.4	24.9
JN-12T	3/4	18	1 1/16 - 12	31.8	26.2
JN-14T	7/8	22	1 3/16 - 12	34.9	27.7
JN-16T	1	25	1 5/16 - 12	38.1	28.7
JN-20T	1 1/4	32	1 5/8 - 12	50.8	31.2
JN-24T	1 1/2	38	1 7/8 - 12	57.2	36.1
JN-32T	2	50	2 1/2 - 12	73.0	44.5

JS
Sleeve



Part No.	Tube OD		L		
	Inch	Metric	Inch	Metric	
JS-2T	JS-2MT	1/8	-	8.6	-
JS-3T	JS-3MT	3/16	-	8.6	-
JS-4T	JS-6MT	1/4	6	10.4	10.4
JS-5T	JS-8MT	5/16	8	11.2	11.2
JS-6T	JS-10MT	3/8	10	12.7	12.7
JS-8T	JS-12MT	1/2	12	14.2	14.2
JS-10T	JS-16MT	5/8	16	16.8	16.8
JS-12T	JS-18MT	3/4	18	17.3	17.3
JS-14T	JS-22MT	7/8	22	19.3	19.3
JS-16T	JS-25MT	1	25	19.8	19.8
JS-20T	JS-32MT	1 1/4	32	23.1	23.1
JS-24T	JS-38MT	1 1/2	38	28.4	28.4
JS-32T	JS-50MT	2	50	30.2	30.2

※ Metric Sleeves are used with standard nuts & bodies

- Dimensions and Drawings are for reference only and are subject to change without prior notice.
 - Unless otherwise specified, all dimensions are in millimeters.
 - Sizes, pressure classes, and end connections not listed are available upon request.
 - Dimensions shown with SUPERLOK nuts finger-tight, where applicable.

BMT Co., Ltd.

Headquarters

(46031) 부산시 기장군 장안읍 신소재산단2로 17 (반룡리)

17, Sinsojaesandan 2-ro, Jangan-eup, Gijang-gun, Busan, 46031 South Korea

TEL: +82 51 780 5000 FAX: +82 51 780 5100

E-mail: superlok@superlok.com

WEB: www.superlok.com

Fittings & Valves

Industrial

Instrumentation Tube Fittings

i-Fitting®

Ball/Plug Valves

Double Block & Bleed Valves

Manifold/Gauge Valves

Globe/Needle Valves

Cryogenic Valves

Check/Relief/Excess Flow Valves

Medium/High Pressure Fittings & Valves

Eco-fuel Conversion and Supply Units

Ultra High Purity

HGB® (High-integrated Gas Box)

HGS® (High-integrated Gas System)

Weld & Metal Face Seal Fittings

Bend Fittings

Diaphragm Valves

Bellows Valves

Check Valves

Clean Ball Valves

Regulators

Gas Filters

HGB® : Trademark registered in Republic of Korea, Japan and United States (as of August 2025)

HGS® : Trademark registered in Republic of Korea, Japan and United States (as of May 2025)

Electric & Energy

Metal Clad Switchgear (MCSG)

Compact Switchboard

Motor Control Center (MCC)

Smart Distribution Board

Energy Management System (EMS)