

Flange Adapters



Flange Adapters

SFLA Series



Features

- Flange types meet ASME, DIN, EN, and JIS standards (ASME B16.5, DIN EN 1092-1, EN 1092-1, JIS B2220).
- Range of flange sizes and pressure classes.
- Full range of sealing faces including flat face, raised face, RTJ, and tongue-and-groove.
- 316 stainless steel material standard; optional materials include alloy 400, Brass and alloy C-276.
- Wrench flats for ease of tube fitting assembly.
- Gaugeability on initial installation using Superlok gap inspection gauges.
- One-piece integrally machined body.
- Available with Superlok tube fitting end connections up to 50 mm and 2 in, flange connection up to 2", 2500 class.

Ordering Information

Example:

S F L A - 8 - J 8 A - M 4 0

1
2
3
4
5

1. Tube O.D

| | | | | | | | | |
|------------|-----|------|------|------|------|-------|-------|------|
| Tube O.D | 1/4 | 3/8 | 1/2 | 3/4 | 1 | 1-1/4 | 1-1/2 | 2 |
| Designator | 4 | 6 | 8 | 12 | 16 | 20 | 24 | 32 |
| Tube O.D | 8mm | 12mm | 16mm | 20mm | 25mm | 32mm | 38mm | 50mm |
| Designator | 8M | 12M | 16M | 20M | 25M | 32M | 38M | 50M |

2. Flange Type

- (Blank)** = Raised face Type
- F** = Flat face Type
- J** = RTJ face Type
- T** = Tongue-and-Groove

3. Flange Size

| | | | | | | |
|-------------|-----|-----|----|-------|-------|----|
| Flange Size | 1/2 | 3/4 | 1 | 1-1/4 | 1-1/2 | 2 |
| Designator | 8 | 12 | 16 | 20 | 24 | 32 |

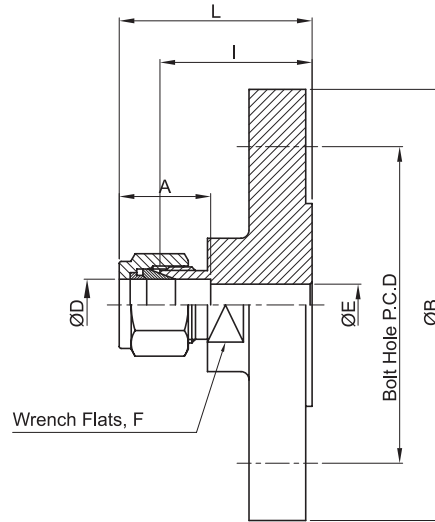
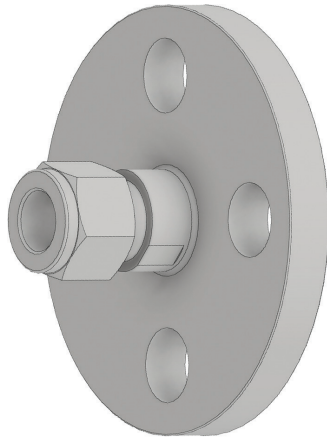
4. Flange Pressure

| | | | | | | |
|--------------|-----------------------|-----------------------|-----------------------|-----------------------|-----------------------|-----------------------|
| Class (ANSI) | 150 | 300 | 600 | 900 | 1500 | 2500 |
| Designator | A | B | C | D | E | F |
| Class (DIN) | PN 40 | PN 63 | PN 100 | PN 160 | PN 250 | PN 320 |
| Designator | DA | DB | DC | DD | DE | DF |
| Class (EN) | PN 40 | PN 63 | PN 100 | - | - | - |
| Designator | EA | EB | EC | - | - | - |
| Class (JIS) | 10 kg/cm ² | 16 kg/cm ² | 20 kg/cm ² | 30 kg/cm ² | 40 kg/cm ² | 63 kg/cm ² |
| Designator | JA | JB | JC | JD | JE | JF |

5. Body Material

- (Blank)** = 316 Stainless Steel
- M40** = Monel, Alloy 400
- 276** = Hastelloy, Alloy C-276
- B** = BRASS

SUPERLOK Flange Adapters Information



| Part No. | Tube O.D. D, inch | ANSI Flange | Class | Dimensions, mm | | | | | | |
|-------------|----------------------|----------------|-------|----------------|-----|-------|-------|------|------|-------|
| | | | | A | B | P.C.D | ØE | F | I | L |
| SFLA-6-8A | 3/8 | 1/2 | 150 | 17.02 | 90 | 60.3 | 7.11 | 17.4 | 34.7 | 42.21 |
| SFLA-6-16A | 3/8 | 1 | 150 | 17.02 | 108 | 79.4 | 7.11 | 28.6 | 37.8 | 45.31 |
| SFLA-8-8A | 1/2 | 1/2 | 150 | 22.9 | 90 | 60.3 | 10.41 | 20.6 | 35.1 | 45.3 |
| SFLA-8-12A | 1/2 | 3/4 | 150 | 22.9 | 100 | 69.9 | 10.41 | 20.6 | 38.1 | 48.3 |
| SFLA-8-16A | 1/2 | 1 | 150 | 22.9 | 110 | 79.4 | 10.41 | 28.6 | 38.1 | 48.3 |
| SFLA-8-8B | 1/2 | 1/2 | 300 | 22.9 | 95 | 66.7 | 10.41 | 20.6 | 37 | 47.2 |
| SFLA-8-16C | 1/2 | 1 | 600 | 22.9 | 125 | 88.9 | 10.41 | 22.2 | 48 | 58.2 |
| SFLA-8-8E | 1/2 | 1/2 | 1500 | 22.9 | 120 | 82.6 | 10.41 | 22.2 | 52.8 | 63 |
| SFLA-12-12A | 3/4 | 3/4 | 150 | 24.61 | 100 | 69.3 | 15.75 | 28.6 | 37.9 | 48.3 |
| SFLA-12-12B | 3/4 | 3/4 | 300 | 24.61 | 115 | 82.6 | 15.75 | 31.7 | 42 | 52.41 |
| SFLA-12-12C | 3/4 | 3/4 | 600 | 24.61 | 115 | 82.6 | 15.75 | 31.7 | 48.3 | 58.71 |
| SFLA-12-12E | 3/4 | 3/4 | 1500 | 24.61 | 130 | 88.9 | 15.75 | 31.7 | 57.8 | 68.21 |
| SFLA-16-16A | 1 | 1 | 150 | 31.43 | 110 | 79.4 | 22.35 | 38.1 | 48.3 | 60.68 |