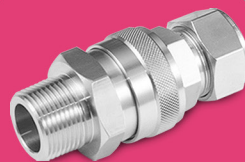


---

# Quick Connectors

- SHQC Series
- SQC Series
- SFQC Series



# Hydraulic Quick Connectors

## SHQC Series

### Features

- Large flow areas machined into the body of the socket and plug facilitate flow around the valve for a high flow capacity.
- Both socket and plug have automatic shut-off valve inside so that the fluid in the line will not flow out on disconnection.
- Various standard seal materials are available to suit a variety of fluids.
- In compliance with ISO 7241 series B standard.



### Pressure Ratings

#### Brass with NBR O-ring

Size (inch)	1/8	1/4	3/8	1/2	3/4	1	1-1/4	1-1/2	2
Working Pressure, psi(bar)	725 (50)			435 (30)			290 (20)		218 (15)

#### Stainless Steel 316 with Viton O-ring

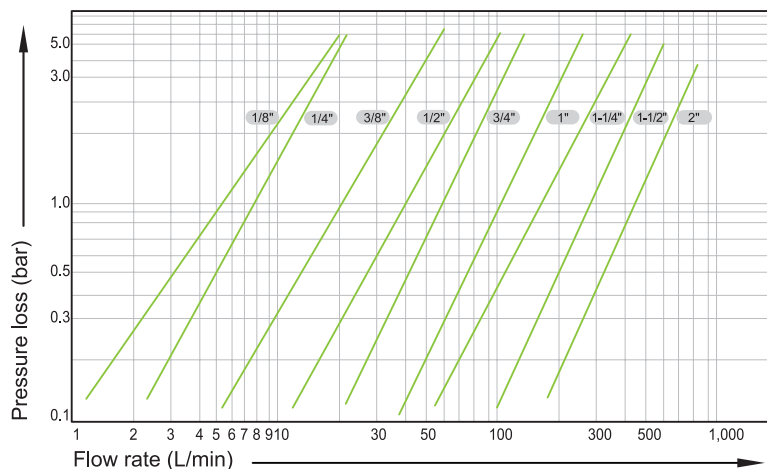
Size (inch)	1/8	1/4	3/8	1/2	3/4	1	1-1/4	1-1/2	2
Working Pressure, psi(bar)	1000 (70)			725 (50)			560 (40)		435 (30)

### Temperature Range

Seal Material	NBR	Viton	EPDM
Temperature Range	-20 ~ 80°C	-20 ~ 180°C	-40 ~ 150°C

### Flow Rate – Pressure Loss Characteristics

- Fluid : oil
- Temperature : 30±5 °C
- Fluid viscosity : 30 X 10<sup>-6</sup> m<sup>2</sup>/s
- Density : 0.87 X 10<sup>3</sup> kg/m<sup>3</sup>



- Components can limit the pressure and temperature ranges of the connector. Please consult BMT (SUPERLOK) sales representative for your specific application.



# Instrumentation Quick Connectors

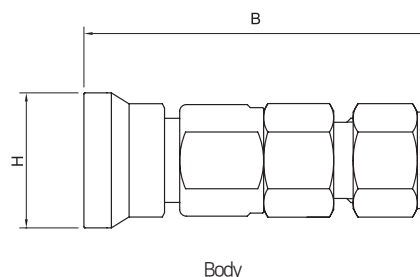
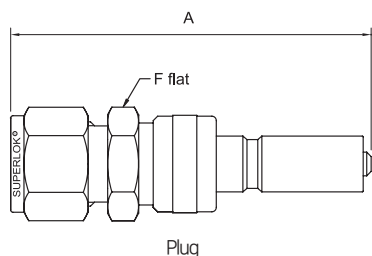
## SQC Series

### Features

- Simple push-pull action to connect and disconnect lines-no tools required.
- Plug and body are available valved or unvalved. Valves automatically open when connected and shut off when disconnected to minimize the loss of liquids or gases.



### Table of Dimensions



#### Plug

* Part No.	Cv	End Connection		A		F		
		SO	DO	SO	DO			
SQC1P -SO	SQC1P -DO	S2	0.08	0.08	1/8" Superlok	70.4	15.9	
		S4	0.4	0.2	1/4" Superlok	61.5		
		S6M			6mm Superlok	19.1		
		M2N			1/8" Male NPT			54.1
		M4N(R)			1/4" Male NPT(PT)			57.9
		F2N			1/8" Female NPT			52.6
		F4N(R)			1/4" Female NPT(PT)			58.9
SQC2P -SO	SQC2P -DO	S6			1.5	0.5	3/8" Superlok	67.1
		S10M	1.6	0.5	10mm Superlok	70.4		
		M4N			1/4" Male NPT	61.9		
		M6N(R)			3/8" Male NPT(PT)	62.7		
		F4N			1/4" Female NPT			
		F6N(R)			3/8" Female NPT(PT)			
F8N(R)	1/2" Female NPT(PT)	22.2						
SQC3P -SO	SQC3P -DO	S8	3.3	1.5	1/2" Superlok	80.3	23.8	
		S12M	3.1	1.3	12mm Superlok	77.2		
		M8N(R)			1/2" Male NPT(PT)			
		F8N(R)			1/2" Female NPT(PT)			76.7

#### Body

Part No.	End Connection		B	H	
	Type				
SQC1B	S2	1/8" Superlok	57.4	23.1	
	S4	1/4" Superlok	58.4		
	S6M	6mm Superlok			
	M2N	1/8" Male NPT	51.1		
	M4N(R)	1/4" Male NPT(PT)	56.9		
	F2N	1/8" Female NPT			
	F4N(R)	1/4" Female NPT(PT)			
SQC2B	S6	3/8" Superlok	65.5	26.2	
	S10M	10mm Superlok	68.1		
	M4N	1/4" Male NPT	60.5		
	M6N(R)	3/8" Male NPT(PT)			
	F4N	1/4" Female NPT			
	F6N(R)	3/8" Female NPT(PT)			65.3
SQC3B	S8	1/2" Superlok	78.5	30.7	
	S12M	12mm Superlok	75.4		
	M8N(R)	1/2" Male NPT(PT)			
	F8N(R)	1/2" Female NPT(PT)			81.8

\* SO : Single shutoff type, DO : Double shutoff type

- Dimensions and Drawings are for reference only and are subject to change without prior notice.
- Unless otherwise specified, all dimensions are in millimeters.
- Sizes, pressure classes, and end connections not listed are available upon request.

## Materials of Construction

Component	Material
*Body	SS316/A276
*Housing	
*Double shut off stem	
*Double shut off stem retainer	
*Body valve	
*Body insert	
*Single shut off stem retainer	
*O-ring	Viton
*Spring	SS304
Body sleeve	SS316/A276
Plug sleeve	
Locking Balls	

\* Wetted components

## Pressure-Temperature Ratings

Temperature °F (°C)	SQC 1	SQC 2	SQC 3
	Pressure Rating, coupled, psig (bar)		
70 (20)	3000 (206)	1500 (103)	750 (51.6)
400 (204)	250 (17.2)		

• Rating based on 316 stainless steel material with Fluorocarbon FKM O-ring

## Maximum Flow Rate Water at 70°F (20°C)

Series	SQC 1	SQC 2	SQC 3
U.S gal/min	4	6	10
L/min	15	22	37

## Insertion Depth

Series	Depth, in.(mm)	
	SO	DO
SQC 1	1.09(27.7)	1.15(29.2)
SQC 2	1.18(30.0)	1.30(33.0)
SQC 3	1.48(37.6)	1.68(42.7)

## Overall Length

To calculate overall length in the coupled position, subtract the insertion depth from any overall plug and body combination length.

## Spillage

Spillage is the amount of system fluid that escapes when a quick-connect is uncoupled (double shut off only)

Series	Spillage
SQC 1	0.3 cm <sup>3</sup>
SQC 2	1.0 cm <sup>3</sup>
SQC 3	3.0 cm <sup>3</sup>

## Option

### BODY & PLUG PROTECTOR

Body & Plug Protectors guard against damage and contaminants when body and plug are uncoupled.

Series	Ordering Number	
	Body Protector	Plug Protector
SQC 1	SQC1 - BP	SQC1 - PP
SQC 2	SQC2 - BP	SQC2 - PP
SQC 3	SQC3 - BP	SQC3 - PP

## Ordering Information

Example :	<b>SQC2P</b>	-	<b>S</b>	<b>6</b>	-	<b>DO</b>	-	<b>B</b>
	<u>1</u>		<u>2</u>	<u>3</u>		<u>4</u>		<u>5</u>

### 1. Product Series

#### Body

- SQC1B
- SQC2B
- SQC3B

#### Plug

- SQC1P
- SQC2P
- SQC3P

### 2. End Connection

- S = SUPERLOK Tube Fitting
- F = Female Thread
- M = Male Thread

### 3. End Connection Size

#### Tube O.D Designator

Tube O.D (inch)	1/4	3/8	1/2
Designator	4	6	8
Tube O.D (mm)	6	10	12
Designator	6M	10M	12M

#### Pipe Thread Designator

Size (inch)	1/8	1/4	3/8	1/2
Screwed BSPT	2R	4R	6R	8R
Screwed NPT	2N	4N	6N	8N

### 4. Plug Type

- SO = Single Shutoff Type
- DO = Double Shutoff Type

### 5. Body Material

- (Blank) = 316 Stainless Steel
- B = Brass

# Full Flow Quick Connectors

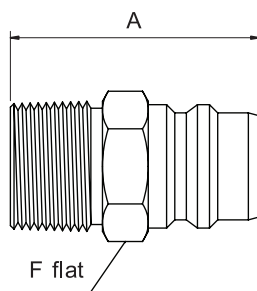
## SFQC Series

### Features

- Proven ball - lock mechanism provides positive connection.
- Simple push - pull action to connect and disconnect lines - no tools required.
- Compact coupling offers full without orifice restrictions.
- O-ring is easily replaced without disassembling body.



### Table of Dimensions



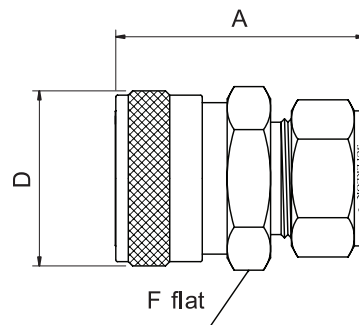
Plug

Part No.	End Connection		Cv	Min Orifice	A	F
	Type					
SFQC2P	S4	1/4" Superlok	2.2	6.1	45.0	14.3
	S6	3/8" Superlok	2.8			17.5
	M4N(R)	1/4" Male NPT	1.7		40.4	14.3
	M6N(R)	3/8" Male NPT(PT)				17.5
	M4G	1/4" Male PF			40.6	19.1
	F4N(R)	1/4" Female NPT(PT)			42.4	22.2
	F6N(R)	3/8" Female NPT(PT)			40.6	19.1
	F4G	1/4" Female PF				
SFQC3P	S6	3/8" Superlok	2.9	12.7	47.8	22.2
	S8	1/2" Superlok	13.0		50.5	
	M6N(R)	3/8" Male NPT(PT)	7.1		41.9	
	M8N(R)	1/2" Male NPT(PT)	11.5		46.7	
	M8G	1/2" Male PF	11.5		46.2	27.0
	F6N(R)	3/8" Female NPT(PT)	7.1		40.4	
	F8N(R)	1/2" Female NPT(PT)	11.5		46.2	
	F8G	1/2" Female PF	11.5			
SFQC4P	S12	3/4" Superlok	26.0	18.3	54.6	27.0
	M12N(R)	3/4" Male NPT(PT)	23.6		51.6	
	F12N(R)	3/4" Female NPT(PT)			52.8	33.3
SFQC5P	S16	1" Superlok	45.0	22.4	62.2	34.9
	M16N(R)	1" Male NPT(PT)	39.0		59.7	
	F16N(R)	1" Female NPT(PT)			63.2	41.3

- Dimensions and Drawings are for reference only and are subject to change without prior notice.

- Unless otherwise specified, all dimensions are in millimeters.

- Sizes, pressure classes, and end connections not listed are available upon request.



Body

Ordering Number		End Connection	Cv	A	D	F
Body Series		Type				
SFQC2B	S4	1/4" Superlok	8	45.7	22.2	17.5
	S6	3/8" Superlok	7.1	46.0		
	M4N(R)	1/4" Male NPT	6.4	40.0		
	M6N(R)	3/8" Male NPT(PT)	9.4	40.0		
	M4G	1/4" Male PF	6.1	45.7	22.2	19.1
	F4N(R)	1/4" Female NPT(PT)	9.7	38.1		
	F6N(R)	3/8" Female NPT(PT)		41.4		
	F4G	1/4" Female PF		38.1		
SFQC3B	S6	3/8" Superlok		7.1	55.1	33.0
	S8	1/2" Superlok	11.9	56.6		
	M6N(R)	3/8" Male NPT(PT)	10.4	46.5		
	M8N(R)	1/2" Male NPT(PT)	12.7	52.8		
	M8G	1/2" Male PF	11.9	52.8		
	F6N(R)	3/8" Female NPT(PT)	15.0	43.9		
	F8N(R)	1/2" Female NPT(PT)	16.0			
	F8G	1/2" Female PF				
SFQC4B	S12	3/4" Superlok	15.7	62.2	42.6	38.1
	M12N(R)	3/4" Male NPT(PT)	18.3	59.2		
	F12N(R)	3/4" Female NPT(PT)	22.4	48.0		
SFQC5B	S16	1" Superlok	22.4	70.0	49.0	44.5
	M16N(R)	1" Male NPT(PT)		67.3		
	F16N(R)	1" Female NPT(PT)		53.8		

- Dimensions and Drawings are for reference only and are subject to change without prior notice.

- Unless otherwise specified, all dimensions are in millimeters.

- Sizes, pressure classes, and end connections not listed are available upon request.





# BMT Co., Ltd.

## | Head Quarter & 1st Factory

(50568) 경상남도 양산시 산막공단남11길 35 (북정동)

35, Sanmakgongdannam 11-gil, Yangsan-si, Gyeongsangnam-do, 50568, South Korea

TEL: +82 55 783 1000 FAX: +82 55 783 1111

E-mail: superlok@superlok.com

## | 2nd Factory

(50568) 경상남도 양산시 산막공단남8길 29 (호계동)

29, Sanmakgongdannam 8-gil, Yangsan-si, Gyeongsangnam-do, 50568, South Korea

## Fittings & Valves

### INDUSTRIAL

Instrumentation Tube Fittings

i-Fitting®

Ball/Plug Valves

Double Block & Bleed Valves

Manifold/Gauge Valves

Globe/Needle Valves

Cryogenic Valves

Check/Relief/Excess Flow Valves

High Pressure Valves

### ULTRA HIGH PURITY

Weld & Metal Face Seal Fittings

Bend Fittings

Diaphragm Valves

Bellows Valves

Check Valves

Clean Ball Valves

Regulators

## Electric & Energy

### PRODUCT & SOLUTION

Compact Switchboard

Motor Control Center (MCC)

Smart Distribution Board

Energy Management System (EMS)

### COMPONENTS (BMT PATENTED)

*MCBS* (Molded Case Busbar System)

*MCPD* (Molded Case Power Distributor)

*Smart-eye* (AC/DC Meter)