

# Relief Valves

- SRVL Series
- SRVH Series



# Relief Valves

## Features

- Compact design
- Cracking pressure adjustable externally
- Lock wire feature secures a given pressure setting
- Each and every valve is tested at the factory
- Temperature Rating: -10 to 375°F (-23 to 190°C)



## Set Pressure

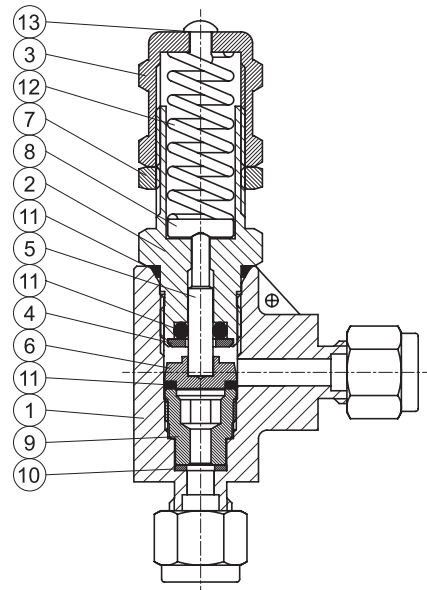
- Set pressure is the upstream pressure at which the first indication of flow occurs.
- Set pressure of each valve after initial relief is repeatable within ±5% at room temperature

## SRVL Series

### Low Pressure Relief Valve

## Technical Data

- Maximum working pressure : 300 psig (20.6 bar)
- Cracking pressure range : 10~250 psig (0.69~17.2 bar)
- Orifice size : 4.8mm
- One spring for the full set pressure range



## Materials of Construction

No.	Description	Material	No.	Description	Material
*1	Body	SS316 / A182	*9	Seat Retainer	SS316 / A276
*2	Bonnet	SS316 / A276	*10	Seat	PTFE
3	Cracking Pressure Adjusting Nut	SS316 / A276	*11	O-Ring	Viton
*4	Retainer	SS316 / A276	12	Spring	SS631
*5	Stem Shaft	SS316 / A276	13	Cap	Polypropylene
*6	Stem	SS316 / A276			
7	Lock Nut	SS316 / A276			
8	Spring Support	SS316 / A276			

\* Wetted components

# SRVH Series

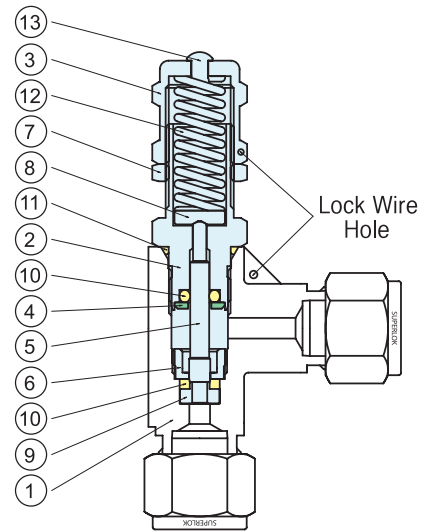
## High Pressure Relief Valve

### Technical Data

- Maximum working Pressure : 6000 psig (413 bar)
- Cracking Pressure Range : 225~6000 psig (15.5~414 bar)
- Orifice size : 4.8mm
- Multiple springs for a selection of set pressure ranges

### SRVH Series Spring

Spring Designator	Spring Color	Cracking Pressure		
		psig	bar	kPa
YE	Yellow	225~750	15.5~51.5	1550~5150
PP	Purple	750~1500	51.5~103	5150~10300
OE	Orange	1500~2250	103~155	10300~15500
BN	Brown	2250~3000	155~206	15500~20600
WH	White	3000~4000	206~275	20600~27500
RD	Red	4000~5000	275~344	27500~34400
GN	Green	5000~6000	344~414	34400~41400

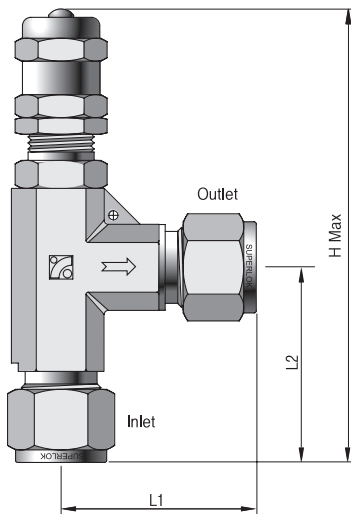


### Materials of Construction

No.	Description	Material	No.	Description	Material
*1	Body	SS316 / A182	8	Spring Support	SS316 / A276
*2	Bonnet	SS316 / A276	*9	Stem Retainer	SS316 / A276
3	Cracking Pressure Adjusting Nut	SS316 / A276	*10	O-Ring	Viton
*4	Retainer	SS316 / A276	*11	O-Ring	Viton
*5	Stem Shaft	SS316 / A276	12	Spring	SS631
*6	Stem Guide	SS316 / A276	13	Cap	Polypropylene
7	Lock Nut	SS316 / A276			

\* Wetted components

### Table of Dimensions



Part No.	Orifice	End Connection		Dimensions		
		Inlet	Outlet	L1	L2	H
SRVL or SRVH	4.8	S4	1/4" SUPERLOK	38.7	37.3	104.6
		S6M	6mm SUPERLOK	38.7	37.3	104.6
		S8M	8mm SUPERLOK	38.7	37.3	104.6
		S6	3/8" SUPERLOK	44.4	44.4	111.7
		S8	1/2" SUPERLOK	46.7	46.7	114.0
		S12M	12mm SUPERLOK	46.7	46.7	114.0
		M8N-S8	1/2" Male NPT / 1/2" SUPERLOK	46.7	35.7	103.0
		M8N-S12M	1/2" Male NPT / 12mm SUPERLOK	46.7	35.7	103.0
		M4N-F4N	1/4" Male NPT / 1/4" Female NPT	30.0	32.2	99.5
		M6N-F6N	3/8" Male NPT / 3/8" Female NPT	34.5	32.2	99.5
M8N-F8N	1/2" Male NPT / 1/2" Female NPT	38.0	35.7	103.0		

- Components can limit the pressure and temperature ranges of the valve. Please consult BMT (SUPERLOK) sales representative for your specific application.
- Dimensions and Drawings are for reference only and are subject to change without prior notice.
- Unless otherwise specified, all dimensions are in millimeters.
- Sizes, pressure classes, and end connections not listed are available upon request.
- Dimensions shown with SUPERLOK nuts finger-tight, where applicable.

## Ordering Information

**Example :**

<b>SRVH</b>	-	<b>S</b>	-	<b>8</b>	-	<b>YE</b>
1		2		3		4

※ 316 stainless steel is Standard Body Material.

### 1. Valve Series

- SRVL** = Low Pressure
- SRVH** = High Pressure

### 2. End Connection

- S** = Tube Fitting
- M** = Male Pipe Thread
- F** = Female Pipe Thread

### 3. Inlet and Outlet Connection Size & Type

Fractional	Connection Size (inch)	1/4	3/8	1/2
	Designator	4	6	8
Metric	Connection Size (mm)	6	8	12
	Designator	6M	8M	12M
Thread		NPT		ISO TAPERED
Designator		N		R

### 4. Spring Designator

- |   |   |
|---|---|
| <ul style="list-style-type: none"> <li><input type="checkbox"/> <b>YE</b> = 225 ~ 750 psig</li> <li><input type="checkbox"/> <b>PP</b> = 750 ~ 1500 psig</li> <li><input type="checkbox"/> <b>OE</b> = 1500 ~ 2250 psig</li> <li><input type="checkbox"/> <b>BN</b> = 2250 ~ 3000 psig</li> </ul> | <ul style="list-style-type: none"> <li><input type="checkbox"/> <b>WH</b> = 3000 ~ 4000 psig</li> <li><input type="checkbox"/> <b>RD</b> = 4000 ~ 5000 psig</li> <li><input type="checkbox"/> <b>GN</b> = 5000 ~ 6000 psig</li> </ul> |
|---|---|

#### Spring Kit Ordering Information

For Low Pressure Relief Valve (SRVL): SRVL-KIT

For High Pressure Relief Valve (SRVH): Add the Spring Designator to SRVH-KIT- (Example: SRVH-KIT-YE)

**Memo**



# BMT Co., Ltd.

## Headquarters

(46031) 부산시 기장군 장안읍 신소재산단2로 17 (반룡리)

17, Sinsojaesandan 2-ro, Jangan-eup, Gijang-gun, Busan, 46031 South Korea

TEL: +82 51 780 5000 FAX: +82 51 780 5100

E-mail: [superlok@superlok.com](mailto:superlok@superlok.com)

WEB: [www.superlok.com](http://www.superlok.com)

## Fittings & Valves

### Industrial

Instrumentation Tube Fittings

i-Fitting®

Ball/Plug Valves

Double Block & Bleed Valves

Manifold/Gauge Valves

Globe/Needle Valves

Cryogenic Valves

Check/Relief/Excess Flow Valves

Medium/High Pressure Fittings & Valves

Eco-fuel Conversion and Supply Units

### Ultra High Purity

HGS® (High-integrated Gas System)

Weld & Metal Face Seal Fittings

Bend Fittings

Diaphragm Valves

Bellows Valves

Check Valves

Clean Ball Valves

Regulators

Gas Filters

HGS® : Trademark registered in Republic of Korea (as of April 2024)

## Electric & Energy

Metal Clad Switchgear (MCSG)

Compact Switchboard

Motor Control Center (MCC)

Smart Distribution Board

Energy Management System (EMS)