
SAE Flanged Ball Valves

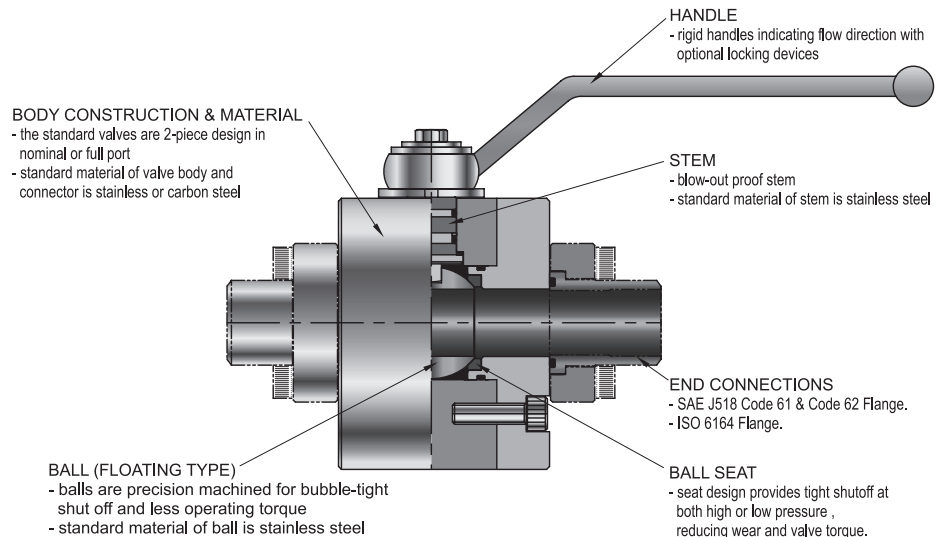


SAE J518 & ISO 6164 Flanged Ball Valves

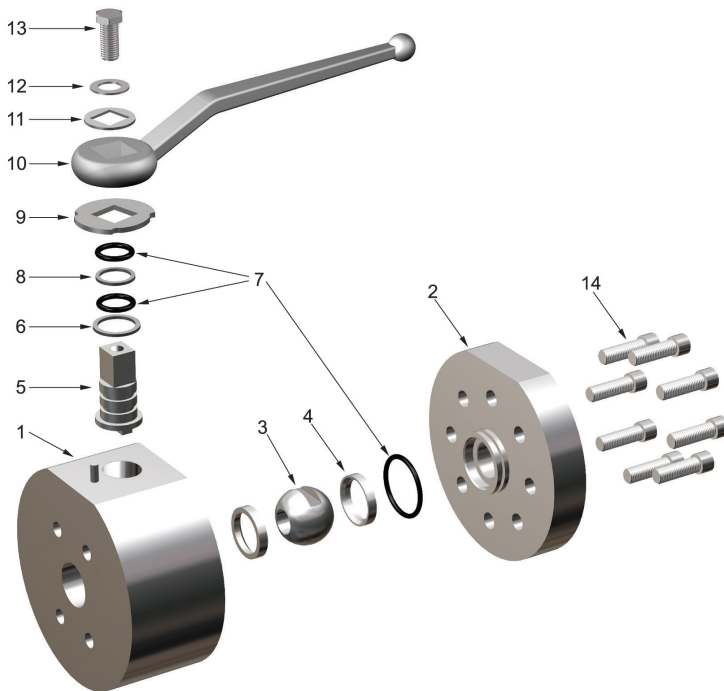
SBVE Series

Features

- Dual pattern Code 61 & 62
- Compact design
- Blow out proof stem
- Fire safety design
 - API 607 / BS 6755 PART 2
- End connection
 - SAE J518 Code 61 & 62 Flanged
 - ISO 6164 Flanged
- Pressure Rating
 - SAE J518 CODE 61 : 3000psi
 - SAE J518 CODE 62 : 6000psi
 - ISO 6164 : PN250, PN400
- Temperature range
 - -4°F to 356°F(-20°C to 180°C)



Materials of Construction

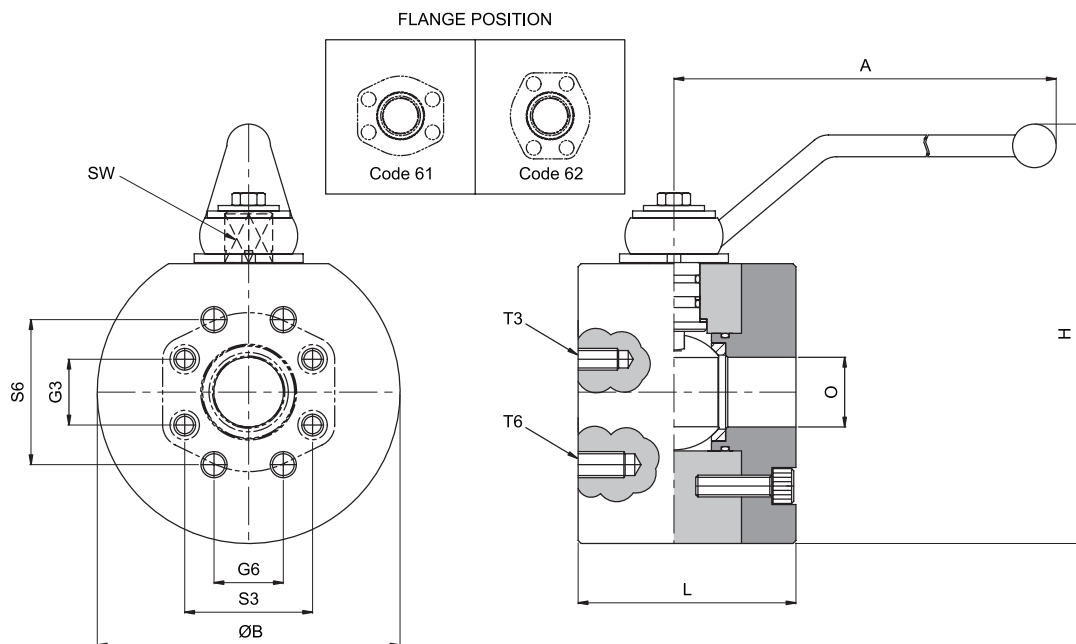


| NO. | COMPONENT | MATERIAL |
|-----|----------------|--------------------------------|
| 1 | BODY | A182 F316 / A105+Zinc plated |
| 2 | BODY CAP | A182 F316 / A105+Zinc plated |
| 3 | BALL | A479 TP316 |
| 4 | BALL SEAT | PEEK / DEVLON |
| 5 | STEM | A479 TP316 / A564 TP630 |
| 6 | THRUST WASHER | PEEK |
| 7 | O-RING | VITON |
| 8 | BACKUP RING | PTFE |
| 9 | LOCKING DEVICE | Stainless Steel |
| 10 | HANDLE | Stainless Steel / Carbon Steel |
| 11 | STEM WASHER | A276 TP316 |
| 12 | WASHER | Stainless Steel |
| 13 | STEM BOLT | Stainless Steel |
| 14 | BODY BOLT | Stainless Steel / Carbon Steel |

- Components can limit the pressure and temperature ranges of the valve. Please consult BMT (SUPERLOK) sales representative for your specific application.

SBVE to SAE 30/60

Table of dimensions



SAE J518 CODE 61 (3000psi)

| Part No. | Nominal Flange Size (inch) | DN | Nominal Working Pressure (bar) | O | A | ØB | H | L | T3 METRIC (UNC) | S3 | G3 | SW |
|--------------------|----------------------------|-----|--------------------------------|----|-----|-----|-----|-----|-----------------|--------|-------|----|
| SBVE - 15 - SAE30 | 1/2 | 15 | 210 | 15 | 160 | 78 | 130 | 75 | M8 (5/16" UNC) | 38.10 | 17.48 | 12 |
| SBVE - 20 - SAE30 | 3/4 | 20 | 210 | 19 | 200 | 98 | 155 | 80 | M10 (3/8" UNC) | 47.63 | 22.23 | 14 |
| SBVE - 25 - SAE30 | 1 | 25 | 210 | 25 | 200 | 118 | 170 | 88 | M10 (3/8" UNC) | 52.37 | 26.19 | 14 |
| SBVE - 32 - SAE30 | 1-1/4 | 32 | 210 | 32 | 250 | 145 | 205 | 100 | M10 (7/16" UNC) | 58.72 | 30.18 | 17 |
| SBVE - 40 - SAE30 | 1-1/2 | 40 | 210 | 38 | 250 | 165 | 230 | 110 | M12 (1/2" UNC) | 69.85 | 35.71 | 17 |
| SBVE - 50 - SAE30 | 2 | 50 | 210 | 48 | 300 | 198 | 255 | 116 | M12 (1/2" UNC) | 77.77 | 42.88 | 19 |
| SBVE - 65 - SAE30 | 2-1/2 | 65 | 210 | 63 | 300 | 198 | 260 | 150 | M12 (1/2" UNC) | 88.90 | 50.80 | 19 |
| SBVE - 80 - SAE30 | 3 | 80 | 210 | 76 | 350 | 210 | 280 | 180 | M16 (5/8" UNC) | 106.38 | 61.93 | 24 |
| SBVE - 100 - SAE30 | 4 | 100 | 210 | 88 | 400 | 258 | 345 | 200 | M16 (5/8" UNC) | 130.18 | 77.77 | 24 |

SAE J518 CODE 62 (6000psi)

| Part No. | Nominal Flange Size (inch) | DN | Nominal Working Pressure (bar) | O | A | ØB | H | L | T6 METRIC (UNC) | S6 | G6 | SW |
|-------------------|----------------------------|----|--------------------------------|----|-----|-----|-----|-----|------------------|--------|-------|----|
| SBVE - 15 - SAE60 | 1/2 | 15 | 420 | 13 | 160 | 78 | 130 | 75 | M8 (5/16" UNC) | 40.49 | 18.24 | 12 |
| SBVE - 20 - SAE60 | 3/4 | 20 | 420 | 19 | 200 | 98 | 155 | 80 | M10 (3/8" UNC) | 50.80 | 23.80 | 14 |
| SBVE - 25 - SAE60 | 1 | 25 | 420 | 25 | 200 | 118 | 170 | 88 | M12 (7/16" UNC) | 57.15 | 27.76 | 14 |
| SBVE - 32 - SAE60 | 1-1/4 | 32 | 420 | 32 | 250 | 145 | 205 | 100 | M14 (1/2" UNC) | 66.68 | 31.75 | 17 |
| SBVE - 40 - SAE60 | 1-1/2 | 40 | 420 | 38 | 250 | 165 | 230 | 120 | M16 (5/8" UNC) | 79.38 | 36.50 | 17 |
| SBVE - 50 - SAE60 | 2 | 50 | 420 | 43 | 300 | 198 | 255 | 130 | M20 (3/4" UNC) | 96.82 | 44.45 | 19 |
| SBVE - 65 - SAE60 | 2-1/2 | 65 | 420 | 60 | 300 | 198 | 260 | 150 | M24 (1" UNC) | 123.80 | 58.80 | 19 |
| SBVE - 80 - SAE60 | 3 | 80 | 420 | 63 | 350 | 210 | 280 | 180 | M30 (1-1/8" UNC) | 152.40 | 71.60 | 24 |

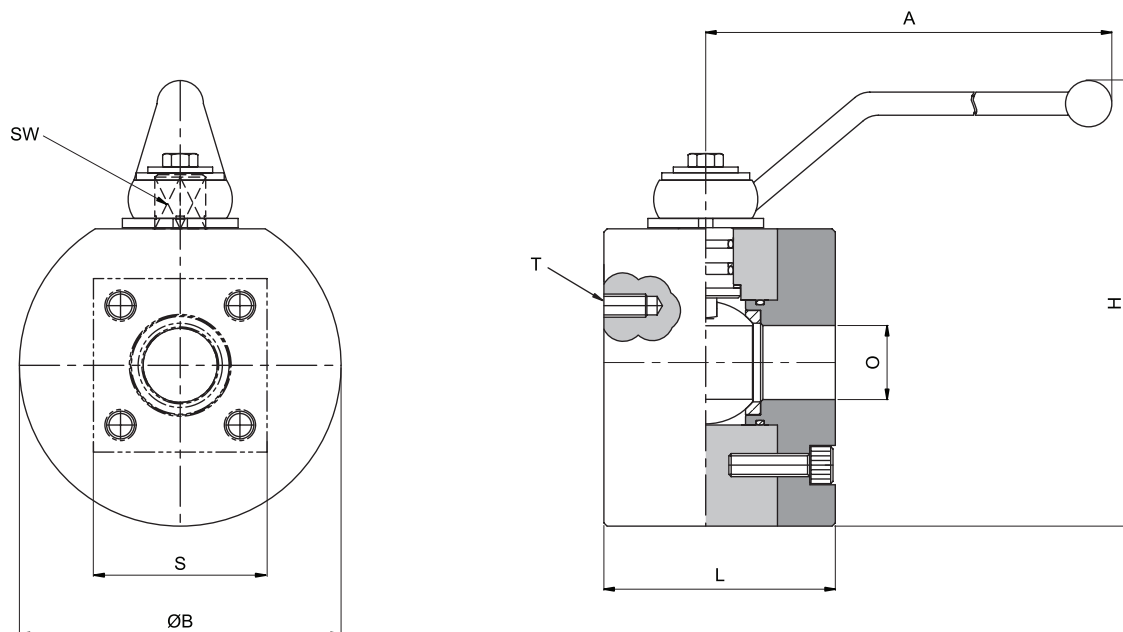
- Dimensions and Drawings are for reference only and are subject to change without prior notice.

- Unless otherwise specified, all dimensions are in millimeters.

- Sizes, pressure classes, and end connections not listed are available upon request.

SBVE to ISO 25/40

Table of dimensions



ISO 6164-2 (250bar)

| Part No. | Nominal Flange Size (inch) | DN | Nominal Working Pressure (bar) | O | A | ØB | H | L | T METRIC (UNC) | S | SW |
|-------------------|----------------------------|----|--------------------------------|----|-----|-----|-----|-----|-----------------|-----|----|
| SBVE - 15 - ISO25 | 1/2 | 15 | 250 | 15 | 160 | 79 | 130 | 75 | M10 (3/8" UNC) | 60 | 12 |
| SBVE - 20 - ISO25 | 3/4 | 20 | 250 | 19 | 200 | 99 | 155 | 80 | M12 (7/16" UNC) | 70 | 14 |
| SBVE - 25 - ISO25 | 1 | 25 | 250 | 25 | 200 | 118 | 170 | 88 | M12 (7/16" UNC) | 80 | 14 |
| SBVE - 32 - ISO25 | 1-1/4 | 32 | 250 | 32 | 250 | 139 | 205 | 100 | M16 (5/8" UNC) | 90 | 17 |
| SBVE - 40 - ISO25 | 1-1/2 | 40 | 250 | 38 | 250 | 160 | 230 | 110 | M16 (5/8" UNC) | 90 | 17 |
| SBVE - 50 - ISO25 | 2 | 50 | 250 | 48 | 300 | 179 | 255 | 116 | M16 (5/8" UNC) | 100 | 19 |

ISO 6164-2 (400bar)

| Part No. | Nominal Flange Size (inch) | DN | Nominal Working Pressure (bar) | O | A | ØB | H | L | T METRIC (UNC) | S | SW |
|-------------------|----------------------------|----|--------------------------------|----|-----|-----|-----|-----|-----------------|-----|----|
| SBVE - 15 - ISO40 | 1/2 | 15 | 400 | 13 | 160 | 79 | 130 | 75 | M10 (3/8" UNC) | 60 | 12 |
| SBVE - 20 - ISO40 | 3/4 | 20 | 400 | 19 | 200 | 99 | 155 | 80 | M10 (3/8" UNC) | 60 | 14 |
| SBVE - 25 - ISO40 | 1 | 25 | 400 | 25 | 200 | 119 | 170 | 88 | M12 (7/16" UNC) | 70 | 14 |
| SBVE - 32 - ISO40 | 1-1/4 | 32 | 400 | 32 | 250 | 139 | 205 | 100 | M12 (7/16" UNC) | 80 | 17 |
| SBVE - 40 - ISO40 | 1-1/2 | 40 | 400 | 38 | 250 | 160 | 230 | 120 | M16 (5/8" UNC) | 90 | 17 |
| SBVE - 50 - ISO40 | 2 | 50 | 400 | 43 | 300 | 179 | 255 | 130 | M16 (5/8" UNC) | 100 | 19 |

- Dimensions and Drawings are for reference only and are subject to change without prior notice.

- Unless otherwise specified, all dimensions are in millimeters.

- Sizes, pressure classes, and end connections not listed are available upon request.

Ordering Information

| | | | | | | | | | | | | | | |
|-----------|--|---|---|---|--|--|--|--|--|--|---|---|---|---|
| Example : | SBVE - 15 - SAE30 - N - C | | | | | | | | | | | | | |
| | <table style="margin: auto; border-collapse: collapse;"> <tr> <td style="border: none; padding: 0 10px;">1</td> <td style="border: none; padding: 0 10px;">2</td> <td style="border: none; padding: 0 10px;">3</td> <td style="border: none; padding: 0 10px;">4</td> <td style="border: none; padding: 0 10px;">5</td> </tr> </table> | | | | | | | | | | 1 | 2 | 3 | 4 |
| 1 | 2 | 3 | 4 | 5 | | | | | | | | | | |

1. Connection Size

| | | | | | | | | | | |
|-------------|-----|-----|----|-------|-------|----|-------|----|-----|-----|
| Size (inch) | 1/2 | 3/4 | 1 | 1-1/4 | 1-1/2 | 2 | 2-1/2 | 3 | 4 | 5 |
| Designator | 15 | 20 | 25 | 32 | 40 | 50 | 65 | 80 | 100 | 125 |

2. Connection Type

- SAE** = SAE J518 Code 61 / 62
- ISO** = ISO 6164 - 2

3. Nominal Pressure

- 30** = 3000psi
- 60** = 6000psi
- 25** = 250bar
- 40** = 400bar

4. Stem Seal

- (Blank)** = VITON
- N** = NBR

5. Body Material

- (Blank)** = Stainless Steel
- C** = Carbon Steel

BMT Co., Ltd.

Headquarters

(46031) 부산시 기장군 장안읍 신소재산단2로 17 (반룡리)

17, Sinsojaesandan 2-ro, Jangan-eup, Gijang-gun, Busan, 46031 South Korea

TEL: +82 51 780 5000 FAX: +82 51 780 5100

E-mail: superlok@superlok.com

WEB: www.superlok.com

Fittings & Valves

Industrial

Instrumentation Tube Fittings

i-Fitting®

Ball/Plug Valves

Double Block & Bleed Valves

Manifold/Gauge Valves

Globe/Needle Valves

Cryogenic Valves

Check/Relief/Excess Flow Valves

Medium/High Pressure Fittings & Valves

Eco-fuel Conversion and Supply Units

Ultra High Purity

HGS® (High-integrated Gas System)

Weld & Metal Face Seal Fittings

Bend Fittings

Diaphragm Valves

Bellows Valves

Check Valves

Clean Ball Valves

Regulators

Gas Filters

HGS® : Trademark registered in Republic of Korea (as of April 2024)

Electric & Energy

Metal Clad Switchgear (MCSG)

Compact Switchboard

Motor Control Center (MCC)

Smart Distribution Board

Energy Management System (EMS)