

# BLV1 Clean Valves

## Three-Piece Ball Valves



- High flow capacity
- High cycle-life performance
- 3-piece construction for ease of maintenance
- Butt weld end connections from 15A up to 100A
- 100% Helium leak tested
- AP, BA, EP grades available

### Specifications

| Size   | 15A                          | 20A | 25A | 32A | 40A | 50A | 65A | 80A  | 100A |
|--|------------------------------|-----|-----|-----|-----|-----|-----|------|------|
| <b>Cv Value</b>  | 41                           | 75  | 120 | 202 | 299 | 529 | 932 | 1448 | 2317 |
| <b>Max. Working Pressure</b>                                       | 10 bar (145 psig)            |     |     |     |     |     |     |      |      |
| <b>Working Temperature</b>   | -10~80°C (14~176°F)          |     |     |     |     |     |     |      |      |
| <b>Internal Leakage Allowance (He)</b><br>(Holding Time ≥ 15 sec.) | ≤1x10 <sup>-5</sup> atm.cc/s |     |     |     |     |     |     |      |      |
| <b>Inboard Leakage Allowance (He)</b><br>(Holding Time ≥ 15 sec.)  | ≤1x10 <sup>-5</sup> atm.cc/s |     |     |     |     |     |     |      |      |

## Ordering Information

\*Additional configurations available upon request.

|    |      |   |    |     |   |   |
|----|------|---|----|-----|---|---|
| A  | BLV1 | - | TW | B   | - | C |
| SM | BLV1 | - | TW | 15A | - | P |

| A   | Materials            |
|-----|----------------------|
| SM  | 316L Stainless Steel |
| 4SS | 304 Stainless Steel  |

| B          | Connection Size |                  |          |                |  |
|------------|-----------------|------------------|----------|----------------|--|
| JIS Pipe   |                 |                  |          |                |  |
| Designator | Normal Size     | Outside Diameter | Schedule | Wall Thickness |  |
| 15A        | 15A             | 21.7 mm          | SCH 5S   | 1.65           |  |
| 15AS       |                 |                  | SCH 10S  | 2.10           |  |
| 20A        | 20A             | 27.2 mm          | SCH 5S   | 1.65           |  |
| 20AS       |                 |                  | SCH 10S  | 2.10           |  |
| 25A        | 25A             | 34.0 mm          | SCH 5S   | 1.65           |  |
| 25AS       |                 |                  | SCH 10S  | 2.80           |  |
| 32A        | 32A             | 42.7 mm          | SCH 5S   | 1.65           |  |
| 32AS       |                 |                  | SCH 10S  | 2.80           |  |
| 40A        | 40A             | 48.6 mm          | SCH 5S   | 1.65           |  |
| 40AS       |                 |                  | SCH 10S  | 2.80           |  |

| B          | Connection Size (Continued) |                  |          |                |  |
|------------|-----------------------------|------------------|----------|----------------|--|
| JIS Pipe   |                             |                  |          |                |  |
| Designator | Normal Size                 | Outside Diameter | Schedule | Wall Thickness |  |
| 50A        | 50A                         | 60.5 mm          | SCH 5S   | 1.65           |  |
| 50AS       |                             |                  | SCH 10S  | 2.80           |  |
| 65A        | 65A                         | 76.3 mm          | SCH 5S   | 2.10           |  |
| 65AS       |                             |                  | SCH 10S  | 3.00           |  |
| 80A        | 80A                         | 89.1 mm          | SCH 5S   | 2.10           |  |
| 80AS       |                             |                  | SCH 10S  | 3.00           |  |
| 100A       | 100A                        | 114.3 mm         | SCH 5S   | 2.10           |  |
| 100AS      |                             |                  | SCH 10S  | 3.00           |  |

| C  | Wetted Surface Grade |  |
|----|----------------------|--|
| P  | EP Grade             |  |
| BA | BA Grade             |  |
| AP | AP Grade             |  |

#### NOTE:

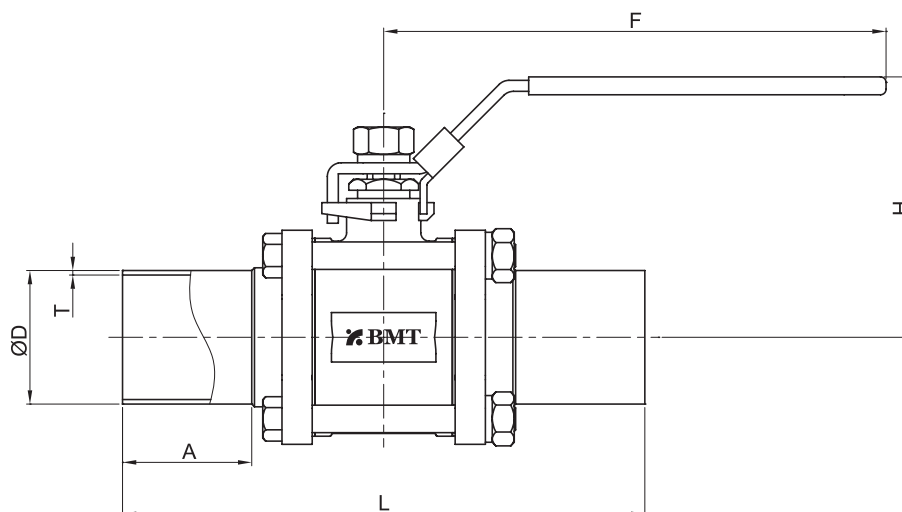
- Dimensions and Drawings are for reference only and are subject to change without prior notice.
- Unless otherwise specified, all dimensions are in millimeters.

# BLV1 Clean Valves

## Part Number Examples

|                 | SMBLV1-TW15AS-P |                      | 4SSBLV1-TW40A-BA |                     |
|-----------------|-----------------|----------------------|------------------|---------------------|
| Materials       | SM              | 316L Stainless Steel | 4SS              | 304 Stainless Steel |
| Product Type    | BLV1            | BLV1 series          | BLV1             | BLV1 series         |
| Connection Type | TW              | Butt Weld            | TW               | Butt Weld           |
| Connection Size | 15AS            | SCH 10S, 15A         | 40A              | SCH 5S, 40A         |
| Grade           | P               | EP grade             | BA               | BA grade            |

## Dimensions



| Size | End Connection | Dimensions |    |     |     |        |         |     |
|------|----------------|------------|----|-----|-----|--------|---------|-----|
|      |                | D          | A  | H   | F   | T      |         | L   |
|      |                |            |    |     |     | SCH 5S | SCH 10S |     |
| 15A  | 15A Pipe       | 21.7       | 37 | 58  | 101 | 1.65   | 2.1     | 140 |
| 20A  | 20A Pipe       | 27.2       | 37 | 58  | 101 | 1.65   | 2.1     | 140 |
| 25A  | 25A Pipe       | 34         | 37 | 70  | 153 | 1.65   | 2.8     | 186 |
| 32A  | 32A Pipe       | 42.7       | 47 | 95  | 183 | 1.65   | 2.8     | 190 |
| 40A  | 40A Pipe       | 48.6       | 47 | 95  | 183 | 1.65   | 2.8     | 190 |
| 50A  | 50A Pipe       | 60.5       | 47 | 105 | 183 | 1.65   | 2.8     | 212 |
| 65A  | 65A Pipe       | 76.3       | 52 | 143 | 256 | 2.10   | 3       | 250 |
| 80A  | 80A Pipe       | 89.1       | 52 | 154 | 256 | 2.10   | 3       | 258 |
| 100A | 100A Pipe      | 114.3      | 52 | 167 | 302 | 2.10   | 3       | 326 |

**NOTE:**

·Dimensions and Drawings are for reference only and are subject to change without prior notice.  
 ·Unless otherwise specified, all dimensions are in millimeters.