

## DV3 Diaphragm Valves

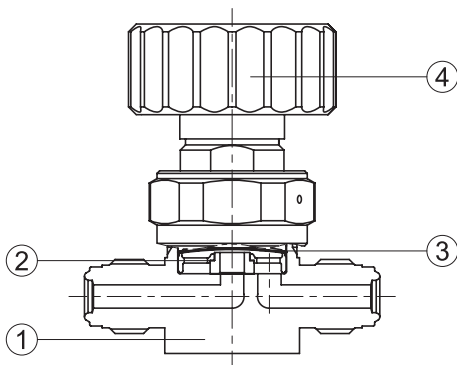
### Low Pressure Manual Diaphragm Valves (3-Way Type)



#### Specifications

Size	1/4"	1/2"
Cv Value	0.3	0.7
Orifice Size	4.5 mm	7.0 mm
Max. Working Pressure	10 bar (145 psig)	
Working Temperature	PCTFE: -10 ~ 80°C (14 ~ 176°F) / PFA, PI: -10 ~ 150°C (14 ~ 302°F)	
Inboard Leak Test Rates (He) (Holding Time ≥ 15 sec.)	≤1x10 <sup>-9</sup> atm.cc/s	
Across the Seat Leak Test Rates (He) (Holding Time ≥ 15 sec.)	≤1x10 <sup>-9</sup> atm.cc/s	
Particle Inspection (EP Only) (0.1µm and Larger)	No Count	
Inner Surface Roughness	MP: Ra ≤ 20 µin, Ry ≤ 6 µm BA: Ra ≤ 10 µin, Ry ≤ 3 µm EP: Ra ≤ 5 µin, Ry ≤ 0.7 µm	

#### Material

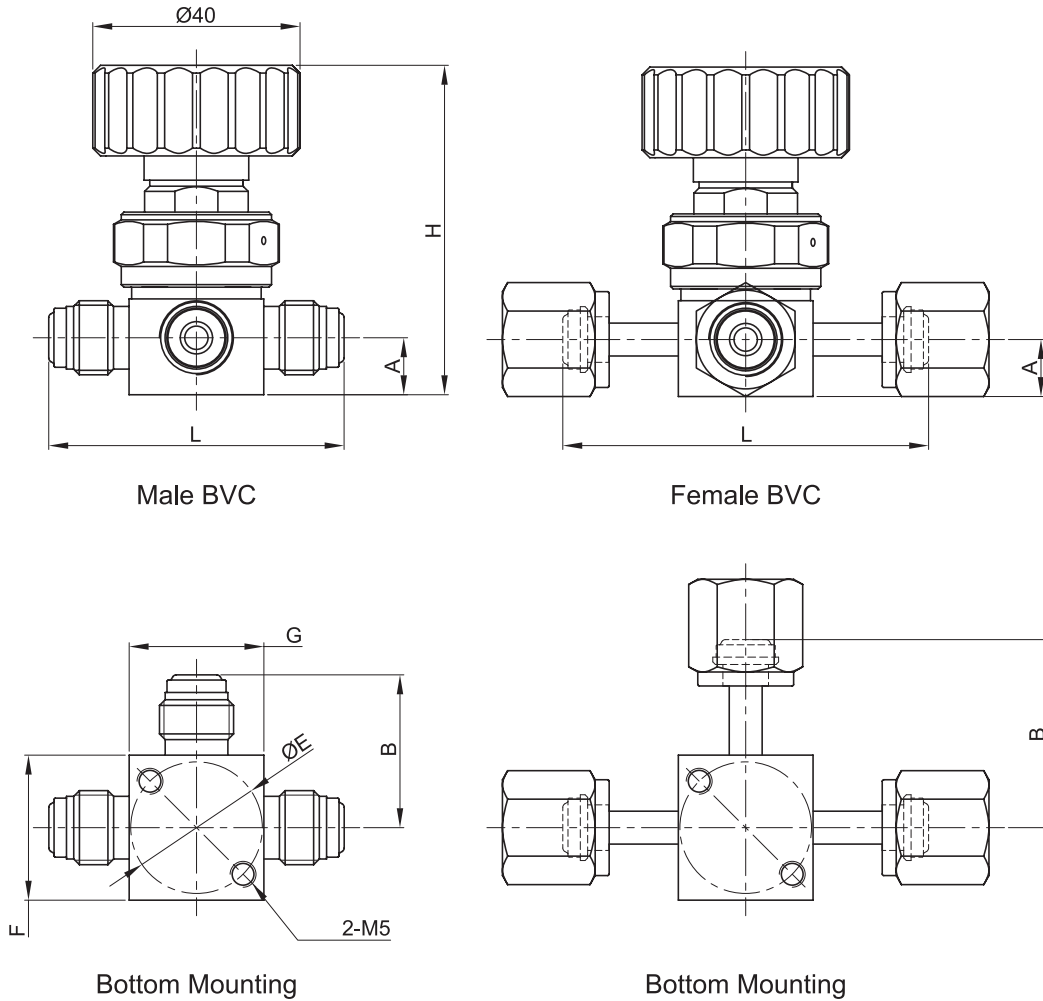


No.	Component	Material
1	Body	316L Stainless Steel
		316L Stainless Steel VAR
		304 Stainless Steel
2	Seat	PCTFE ( <i>standard</i> ) / PFA / PI
3	Diaphragm	Ni-Co Alloy
4	Handle	Aluminium

#### NOTE:

·Dimensions and Drawings are for reference only and are subject to change without prior notice.  
·Unless otherwise specified, all dimensions are in millimeters.

Dimensions

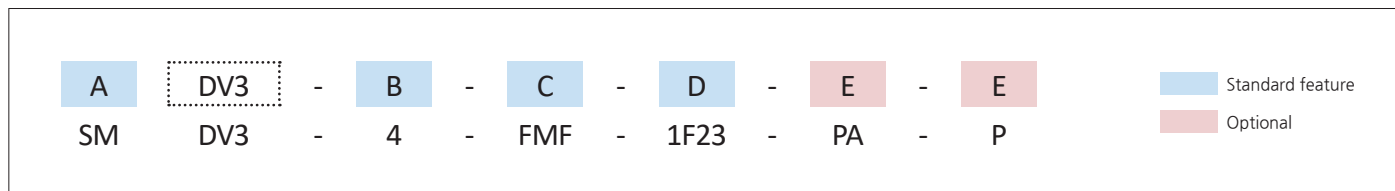


Part No.	Dimensions (mm)						
	L	H	A	B	E (Φ)	F	G
SMDV3-4-MMM-1F23	57	64.7	11	28.5	25.4	28	26
SMDV3-8-MMM-1F23	77	74.1	16	38.5	28	37	36
SMDV3-4-FFF-1F23	70.6	64.7	11	35.3	25.4	28	26
SMDV3-8-FFF-1F23	83	74.1	16	41.5	28	37	36

NOTE:  
 ·Dimensions and Drawings are for reference only and are subject to change without prior notice.  
 ·Unless otherwise specified, all dimensions are in millimeters.

## Ordering Information

Low Pressure Manual Diaphragm Valves (3-Way Type)  
 \*Additional configurations available upon request.



A	Materials	
SM	316L Stainless Steel	
DM	316L Stainless Steel VAR	
4SS	304 Stainless Steel	

E	Seat Material	
PCTFE is standard. No part designator needed.		
PA	PFA	
PI	Polyimide	

B	Connection Size			
	Designator	Nominal Size	Outside Diameter	Wall Thickness
	4	1/4 in.	6.35 mm	1.00 mm
	8	1/2 in.	12.7 mm	1.24 mm

F	Wetted Surface Grade	
BA is standard. No part designator needed.		
P	EP	
AP	AP	

C	Connection Type	
MMM	Male Only	
FMF	In : Female / Out : Male, Female	
FFF	Female Only	

D	Flow Direction	
See <a href="#">Flow Paths</a> for the figures on Page 4.		
2F13	Figure B	
1F34	Figure C	
4F13	Figure D	

### Part Number Examples

	SMDV3-8-FFF-1F23		DMDV3-4-FMF-1F34-PA-P	
Material	SM	316L Stainless Steel	DM	316L Stainless Steel VAR
Series	DV3	DV3 series	DV3	DV3 series
Operation Method	Omit for Manual Valves		Omit for Manual Valves	
Connection Type	FFF	Female Only	FMF	In : Female / Out : Male, Female
Connection Size	8	1/2"	4	1/4"
Flow Path	Fig.E of <a href="#">Flow Paths</a> , Page 4		Fig.G of <a href="#">Flow Paths</a> , Page 4	
Seat Material	PCTFE (standard)		PA	PFA
Grade	BA grade (standard)		P	EP grade

NOTE:  
 ·Dimensions and Drawings are for reference only and are subject to change without prior notice.  
 ·Unless otherwise specified, all dimensions are in millimeters.

# Appendix

## Flow Paths

For 3-way Type Valves

