

LDV1 Diaphragm Valves

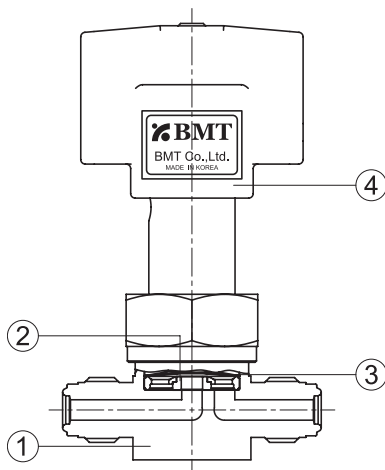
Low Pressure Manual Diaphragm Valves (LOTO Type)



Specifications

Size	1/4"	1/2"
Cv Value	0.3	0.7
Orifice Size	4.5 mm	7.0 mm
Max. Working Pressure	10 bar (145 psig)	
Working Temperature	PCTFE: -10 ~ 80°C (14 ~ 176°F) / PFA, PI: -10 ~ 150°C (14 ~ 302°F)	
Internal Leakage Allowance (He) (Holding Time ≥ 15 sec.)	≤1x10 ⁻⁹ atm.cc/s	
Inboard Leakage Allowance (He) (Holding Time ≥ 15 sec.)	≤1x10 ⁻⁹ atm.cc/s	
Particle Inspection (EP Only) (0.1µm and Larger)	No Count	
Inner Surface Roughness	MP: Ra ≤ 20 µin, Ry ≤ 6 µm BA: Ra ≤ 10 µin, Ry ≤ 3 µm EP: Ra ≤ 5 µin, Ry ≤ 0.7 µm	

Material

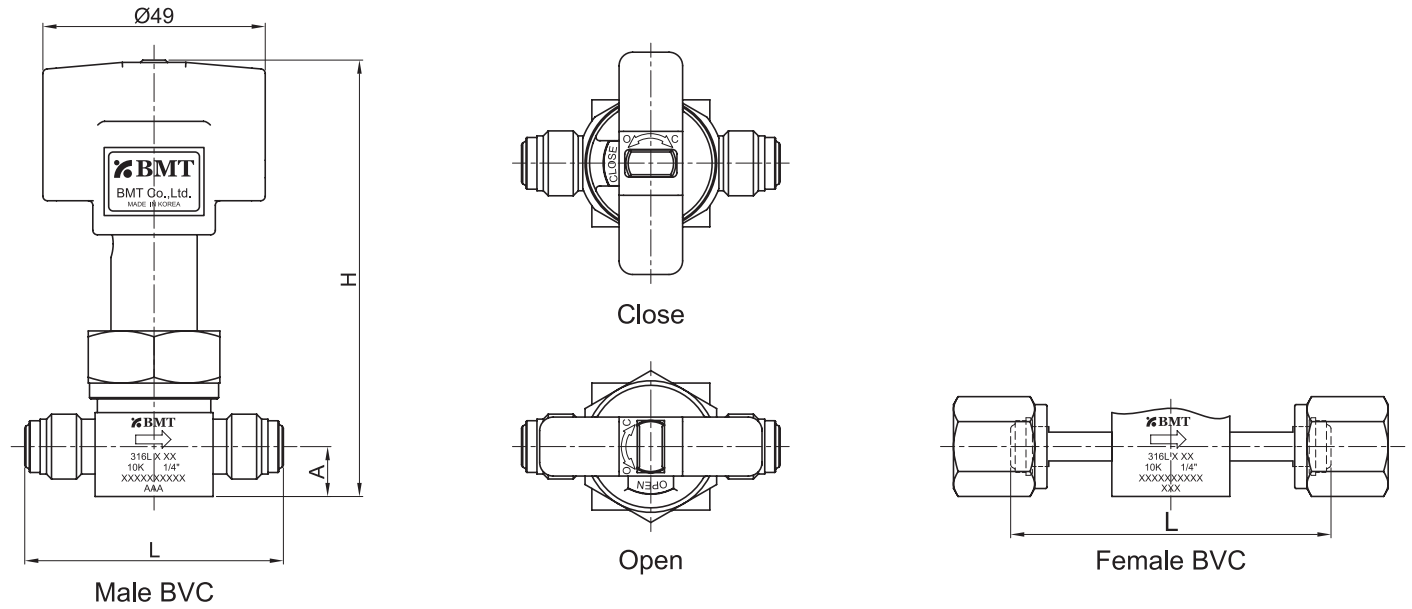


No.	Component	Material
1	Body	316L Stainless Steel 316L Stainless Steel VAR 304 Stainless Steel
2	Seat	PCTFE (<i>standard</i>) / PFA / PI
3	Diaphragm	Ni-Co Alloy
4	Handle	Aluminium

NOTE:

·Dimensions and Drawings are for reference only and are subject to change without prior notice.
·Unless otherwise specified, all dimensions are in millimeters.

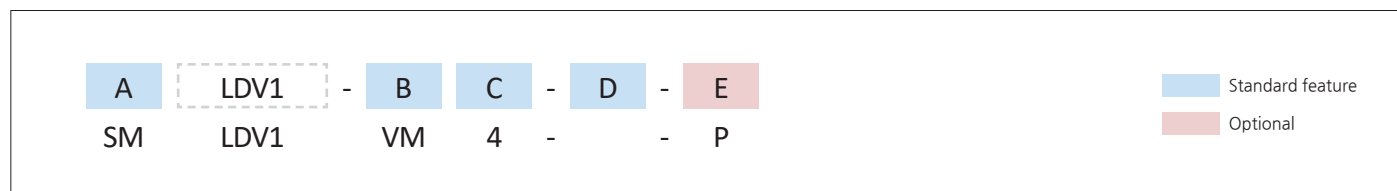
Dimensions



End Connection	Part No.	Dimensions (mm)					
		L	H	A	E (Φ)	F	G
Male BVC	SMLDV1-VM4	57	96.5	11	25.4	28	26
	SMLDV1-VM8	77	107	16	28	37	36
Female BVC	SMLDV1-VF4	70.6	96.5	11	25.4	28	28
	SMLDV1-VF8	83	107	16	28	37	36

NOTE:
 ·Dimensions and Drawings are for reference only and are subject to change without prior notice.
 ·Unless otherwise specified, all dimensions are in millimeters.

Ordering Information



A	Materials	
SM	316L Stainless Steel	
DM	316L Stainless Steel VAR	
4SS	304 Stainless Steel	

B	Connection Type	
VM	Male BVC (BMT Vacuum Coupling)	
VF	Female BVC (BMT Vacuum Coupling)	
S	SUPERLOK Tube Fitting	
TW	Butt Weld	

C	Connection Size			
	ASTM Tube			
	Designator	Nominal Size	Outside Diameter	Wall Thickness
	4	1/4 in.	6.35 mm	1.00 mm

D	Seat Material	
	PCTFE is standard. No part designator needed.	
	PA	PFA
	PI	PI

E	Wetted Surface Grade	
	BA is standard. No part designator needed.	
	P	EP
	MP	MP

Part Number Examples

	DMLDV1-VM4		SMLDV1-VF4-P	
Material	DM	316L Stainless Steel VAR	SM	316L Stainless Steel
Series	LDV1	LDV1 series	LDV1	LDV1 series
Operation Method		<i>Omit for Manual Valves</i>		<i>Omit for Manual Valves</i>
Connection Type	VM	BVC Male	VF	BVC Female
Connection Size	4	1/4"	4	1/4"
Seat Material		PCTFE (standard)		PCTFE (standard)
Grade		BA grade (standard)	P	EP grade

NOTE:

·Dimensions and Drawings are for reference only and are subject to change without prior notice.
 ·Unless otherwise specified, all dimensions are in millimeters.