

MLDV1 Diaphragm Valves

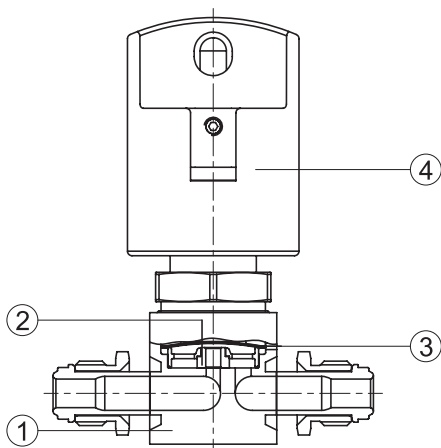
Medium Pressure Manual Diaphragm Valves (LOTO Type)



Specifications

Size	1/4"
Cv Value	0.3
Orifice Size	6.3 mm
Max. Working Pressure	20 bar (290 psig)
Working Temperature	PCTFE: -10 ~ 80°C (14 ~ 176°F) / PFA, PI: -10 ~ 150°C (14 ~ 302°F)
Internal Leakage Allowance (He) (Holding Time ≥ 15 sec.)	≤1x10 ⁻⁹ atm.cc/s
Inboard Leakage Allowance (He) (Holding Time ≥ 15 sec.)	≤1x10 ⁻⁹ atm.cc/s
Particle Inspection (EP Only) (0.1µm and Larger)	No Count
Inner Surface Roughness	MP: Ra ≤ 20 µin, Ry ≤ 6 µm BA: Ra ≤ 10 µin, Ry ≤ 3 µm EP: Ra ≤ 5 µin, Ry ≤ 0.7 µm

Material

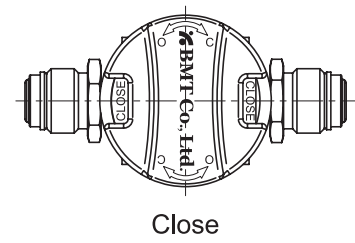
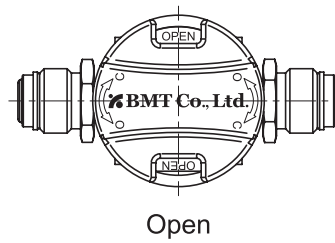
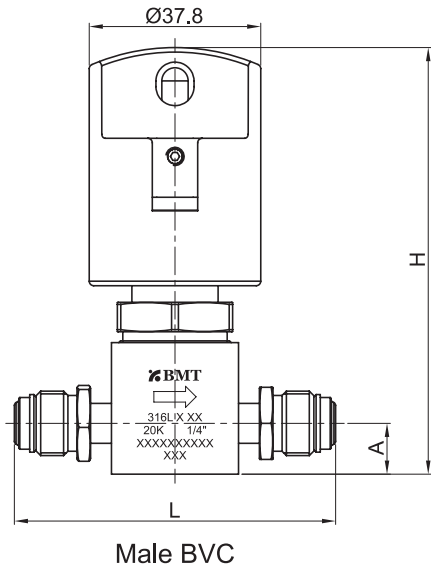


No.	Component	Material
1	Body	316L Stainless Steel 316L Stainless Steel VAR 304 Stainless Steel
2	Seat	PCTFE (<i>standard</i>) / PFA / PI
3	Diaphragm	Ni-Co Alloy
4	Handle	Aluminium

NOTE:

·Dimensions and Drawings are for reference only and are subject to change without prior notice.
·Unless otherwise specified, all dimensions are in millimeters.

Dimensions



End Connection	Part No.	Dimensions (mm)					
		L	H	A	E (Φ)	F	G
Male BVC	SMMLDV1-VM4	70.6	94.6	11.2	25.4	28	28
Female BVC	SMMLDV1-VF4	70.6	94.6	11.2	25.4	28	28

NOTE:
 ·Dimensions and Drawings are for reference only and are subject to change without prior notice.
 ·Unless otherwise specified, all dimensions are in millimeters.

Ordering Information

A	MLDV1	B	-	C	D	-	E	-	F	
SM	MLDV1			VM	4					P

Standard feature
Optional

A	Materials	
SM	316L Stainless Steel	
DM	316L Stainless Steel VAR	
4SS	304 Stainless Steel	

B	Operation Method	
Add an operation method designator for Pneumatic Valves .		

C	Connection Type	
VM	Male BVC (BMT Vacuum Coupling)	
VF	Female BVC (BMT Vacuum Coupling)	
S	SUPERLOK Tube Fitting	
TW	Butt Weld	

D	Connection Size			
ASTM Tube				
Designator	Nominal Size	Outside Diameter	Wall Thickness	
4	1/4 in.	6.35 mm	1.00 mm	

E	Seat Material	
PCTFE is standard. No part designator needed.		
PA	PFA	
PI	PI	

F	Wetted Surface Grade	
BA is standard. No part designator needed.		
P	EP	
MP	MP	

Part Number Examples

	DMMLDV1-VM4		SMMLDV1-VF4-P	
Material	DM	316L Stainless Steel VAR	SM	316L Stainless Steel
Series	MLDV1	MLDV1 series	MLDV1	MLDV1 series
Operation Method		<i>Omit for Manual Valves</i>		<i>Omit for Manual Valves</i>
Connection Type	VM	BVC Male	VF	BVC Female
Connection Size	4	1/4"	4	1/4"
Seat Material		PCTFE (standard)		PCTFE (standard)
Grade		BA grade (standard)	P	EP grade

NOTE:

·Dimensions and Drawings are for reference only and are subject to change without prior notice.
 ·Unless otherwise specified, all dimensions are in millimeters.