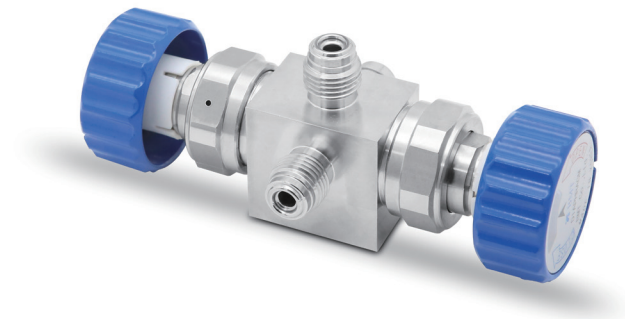


MNDV1 Diaphragm Valves

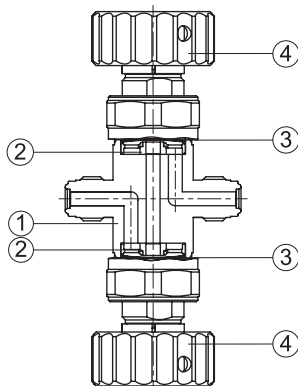
Low Pressure Manual Diaphragm Valves (Mono Type)



Specifications

Size	1/4"
Cv Value	0.3
Orifice Size	4.5 mm
Max. Working Pressure	10 bar (145 psig)
Working Temperature	PCTFE: -10 ~ 80°C (14 ~ 176°F) / PFA, PI: -10 ~ 150°C (14 ~ 302°F)
Internal Leakage Allowance (He) (Holding Time ≥ 15 sec.)	≤1x10 ⁻⁹ atm.cc/s
Inboard Leakage Allowance (He) (Holding Time ≥ 15 sec.)	≤1x10 ⁻⁹ atm.cc/s
Particle Inspection (EP Only) (0.1µm and Larger)	No Count
Inner Surface Roughness	MP: Ra ≤ 20 µin, Ry ≤ 6 µm BA: Ra ≤ 10 µin, Ry ≤ 3 µm EP: Ra ≤ 5 µin, Ry ≤ 0.7 µm

Material

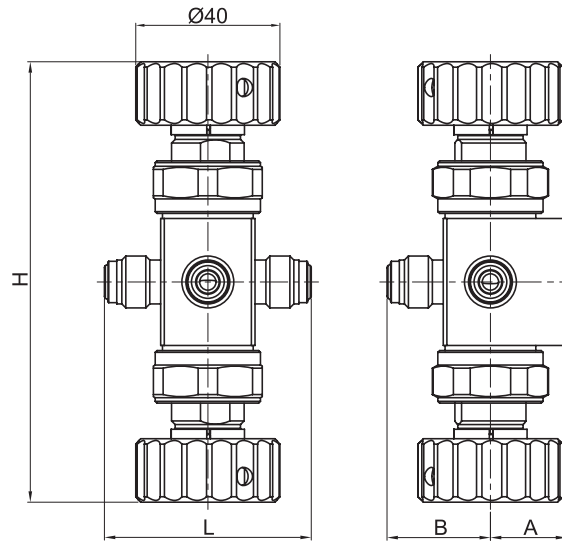


No.	Component	Material
1	Body	316L Stainless Steel 316L Stainless Steel VAR 304 Stainless Steel
2	Seat	PCTFE (<i>standard</i>) / PFA / PI
3	Diaphragm	Ni-Co Alloy
4	Handle	Aluminium

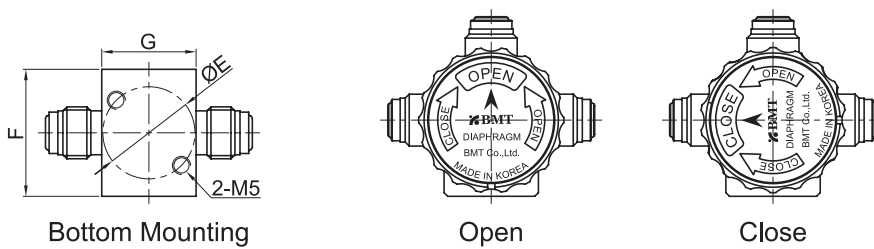
NOTE:

·Dimensions and Drawings are for reference only and are subject to change without prior notice.
·Unless otherwise specified, all dimensions are in millimeters.

Dimensions



Male BVC



Bottom Mounting

Open

Close

End Connection	Part No.	Dimensions (mm)						
		L	H	A	B	E (Φ)	F	G
Male BVC	SMMNDV1-4-MMM-1F23-P	57	121.4	21	28.5	25.4	35	26

NOTE:
 ·Dimensions and Drawings are for reference only and are subject to change without prior notice.
 ·Unless otherwise specified, all dimensions are in millimeters.

Ordering Information

Low Pressure Pneumatic Diaphragm Valves (Standard Type)
*Additional configurations available upon request.

A	MNDV1	-	B	-	C	-	D	-	E	-	F
SM	MNDV1		4		MMM		1F23				P

Standard feature
Optional

A	Materials	
SM	316L Stainless Steel	
DM	316L Stainless Steel VAR	
4SS	304 Stainless Steel	

B	Connection Size			
	ASTM Tube			
Designator	Nominal Size	Outside Diameter	Wal Thickness	
4	1/4 in.	6.35 mm	1.00 mm	
8	1/2 in.	12.7 mm	1.24 mm	

C	Connection Type	
MMM	Male Only	

D	Flow Direction	
	See Flow Path for the figures on Page 4.	
1F23	1 IN FLOW 2,3 OUT	
2F13	2 IN FLOW 1.3 OUT	
3F12	3 IN FLOW 1.2 OUT	

E	Seat Material	
	PCTFE is standard. No part designator needed.	
PA	PFA	
PI	PI	

F	Wetted Surface Grade	
	BA is standard. No part designator needed.	
P	EP	
MP	MP	

Part Number Examples

	SMMNDV1-4-MMM-1F23		DMMNDV1-4-MMM-3F12-P	
Material	SM	316L Stainless Steel	DM	316L Stainless Steel VAR
Series	MNDV1	MNDV1 series	MNDV1	MNDV1 series
Connection Size	4	1/4"	4	1/4"
Connection Type	MMM	Male Only	MMM	Male Only
Flow Path	1F23	Fig.A of <i>Flow Paths</i> , Page 4	3F12	Fig.C of <i>Flow Paths</i> , Page 4
Seat Material		PCTFE (standard)		PCTFE (standard)
Grade		BA grade (standard)	P	EP grade

NOTE:

·Dimensions and Drawings are for reference only and are subject to change without prior notice.
·Unless otherwise specified, all dimensions are in millimeters.

Appendix

Flow Paths

For Mono Type Valves

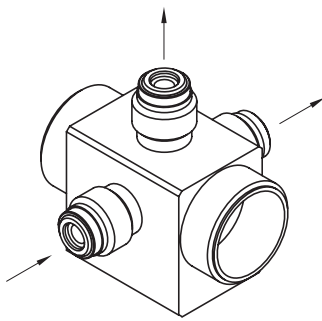
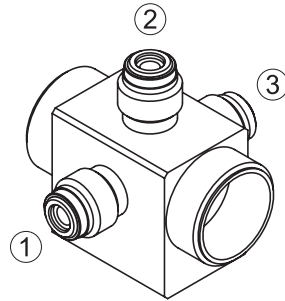


Figure A | **1F23**

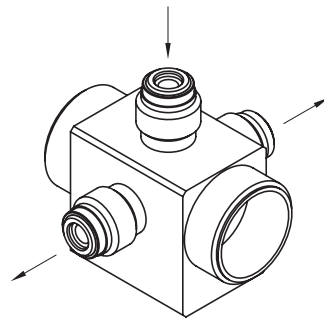


Figure B | **1F35**

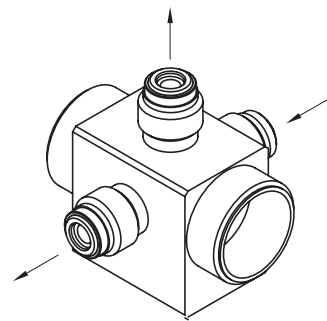


Figure C | **2F13**