

## PDV3 Diaphragm Valves

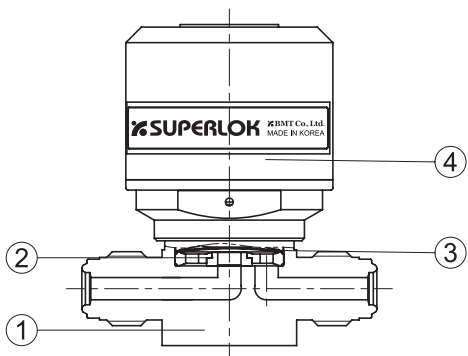
### Low Pressure Pneumatic Diaphragm Valves (3-Way Type)



#### Specifications

Size	1/4"	1/2"
Cv Value	0.3	0.7
Orifice Size	4.5 mm	7.0 mm
Max. Working Pressure	10 bar (145 psig)	
Operating Pressure	0.4 ~ 0.6 MPa (58 ~ 87 psig)	
Working Temperature	PCTFE: -10 ~ 80°C (14 ~ 176°F) / PFA, PI: -10 ~ 150°C (14 ~ 302°F)	
Inboard Leak Test Rates (He) (Holding Time ≥ 15 sec.)	≤1x10 <sup>-9</sup> atm.cc/s	
Across the Seat Leak Test Rates (He) (Holding Time ≥ 15 sec.)	≤1x10 <sup>-9</sup> atm.cc/s	
Particle Inspection (EP Only) (0.1µm and Larger)	No Count	
Inner Surface Roughness	MP: Ra ≤ 20 µin, Ry ≤ 6 µm BA: Ra ≤ 10 µin, Ry ≤ 3 µm EP: Ra ≤ 5 µin, Ry ≤ 0.7 µm	

#### Material

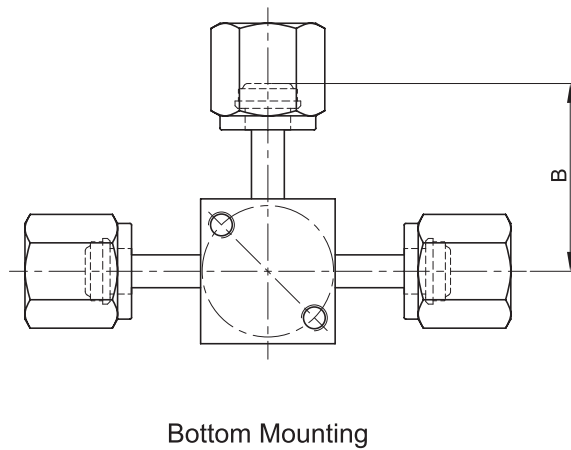
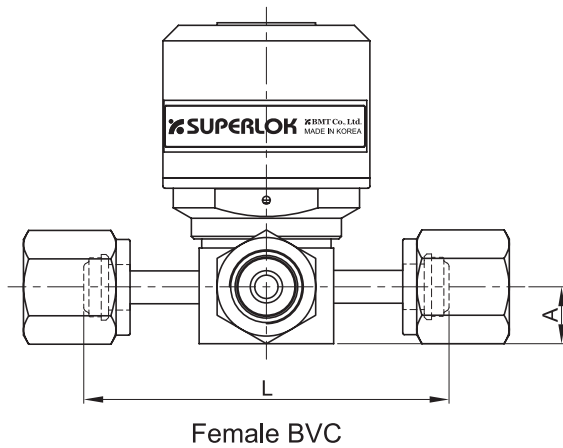
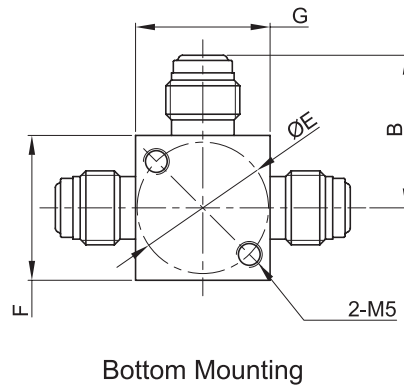
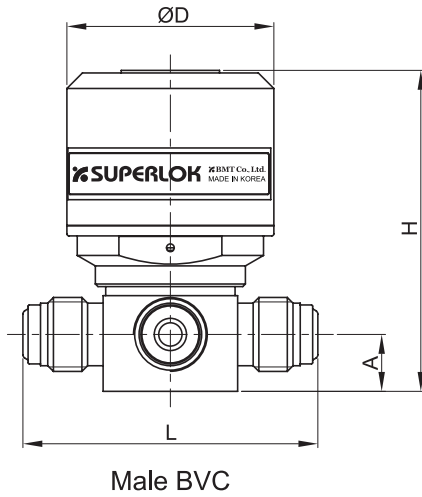


No.	Component	Material
1	Body	316L Stainless Steel
		316L Stainless Steel VAR
2	Seat	304 Stainless Steel
		PCTFE ( <i>standard</i> ) / PFA / PI
3	Diaphragm	Ni-Co Alloy
4	Actuator	Aluminium

**NOTE:**

·Dimensions and Drawings are for reference only and are subject to change without prior notice.  
·Unless otherwise specified, all dimensions are in millimeters.

Dimensions

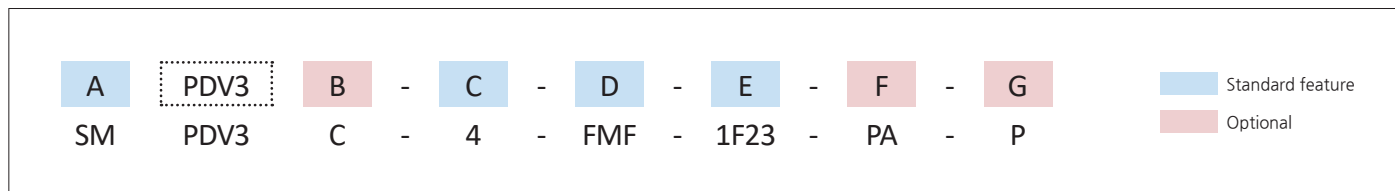


Part No.	Dimensions (mm)							
	L	H	A	B	D (Φ)	E (Φ)	F	G
SMPDV3C-4-MMM-1F23	57	62.1	11	28.5	40	25.4	28	26
SMPDV3C-8-MMM-1F23	77	81.2	16	38.5	55	28	37	36
SMPDV3C-4-FFF-1F23	70.6	62.1	11	35.3	40	25.4	28	26
SMPDV3C-8-FFF-1F23	83	81.2	16	41.5	55	28	37	36

NOTE:  
 ·Dimensions and Drawings are for reference only and are subject to change without prior notice.  
 ·Unless otherwise specified, all dimensions are in millimeters.

## Ordering Information

Low Pressure Pneumatic Diaphragm Valves (3-Way Type)  
 \*Additional configurations available upon request.



A	Materials	
SM	316L Stainless Steel	
DM	316L Stainless Steel VAR	
4SS	304 Stainless Steel	

B	Operation Method	
Add an operation method designator for <a href="#">Pneumatic Valves</a> .		
C	Normally Closed	
O	Normally Open	

C	Connection Size			
	Designator	Nominal Size	Outside Diameter	Wall Thickness
	4	1/4 in.	6.35 mm	1.00 mm
	8	1/2 in.	12.7 mm	1.24 mm

D	Connection Type	
FFF	Female Only	
FMF	In : Female / Out : Male, Female	

E	Flow Direction	
See <a href="#">Flow Paths</a> for the figures on Page 4.		
2F13	Figure B	
1F34	Figure C	
4F13	Figure D	

F	Seat Material	
PCTFE is standard. No part designator needed.		
PA	PFA	
PI	Polyimide	

G	Wetted Surface Grade	
BA is standard. No part designator needed.		
P	EP	
AP	AP	

### Part Number Examples

	SMPDV3C-8-FFF-1F23		DMPDV3C-4-FMF-1F34-PA-P	
Material	SM	316L Stainless Steel	DM	316L Stainless Steel VAR
Series	PDV3	PDV3 series	PDV3	PDV3 series
Operation Method	C	Normally Closed	C	Normally Closed
Connection Type	FFF	Female Only	FMF	In : Female / Out : Male, Female
Connection Size	8	1/2"	4	1/4"
Flow Path	Fig.E of <a href="#">Flow Paths</a> , Page 4		Fig.G of <a href="#">Flow Paths</a> , Page 4	
Seat Material	PCTFE (standard)		PA	PFA
Grade	BA grade (standard)		P	EP grade

NOTE:  
 ·Dimensions and Drawings are for reference only and are subject to change without prior notice.  
 ·Unless otherwise specified, all dimensions are in millimeters.

# Appendix

## Flow Paths

For 3-way Type Valves

